

| Model Number | Nominal Size (Inches) W x H x D | Actual Size (Inches) W x H x D | Rated Air Flow (CFM) | Initial Resistance (In. W.G.) | Media Area (Square Feet) |
|---------------|---------------------------------|--------------------------------|----------------------|-------------------------------|--------------------------|
| DP13-STD1-109 | 10 x 10 x 1 | 9-1/2 x 9-1/2 x 3/4 | 210 | .41 | 1.9 |
| DP13-STD1-177 | 10 x 15 x 1 | 9-3/4 x 14-3/4 x 3/4 | 310 | .41 | 3.1 |
| DP13-STD1-117 | 10 x 20 x 1 | 9-1/2 x 19-1/2 x 3/4 | 415 | .41 | 3.1 |
| DP13-STD1-124 | 10 x 24 x 1 | 9-3/8 x 23-3/8 x 3/4 | 500 | .41 | 3.7 |
| DP13-STD1-122 | 12 x 12 x 1 | 11-3/4 x 11-3/4 x 3/4 | 300 | .41 | 3.8 |
| DP13-STD1-123 | 12 x 16 x 1 | 11-1/2 x 15-3/4 x 3/4 | 400 | .41 | 3.8 |
| DP13-STD1-120 | 12 x 20 x 1 | 11-1/2 x 19-1/2 x 3/4 | 500 | .41 | 3.8 |
| DP13-STD1-110 | 12 x 24 x 1 | 11-3/8 x 23-3/8 x 3/4 | 600 | .41 | 4.6 |
| DP13-STD1-133 | 14 x 14 x 1 | 13-3/4 x 13-3/4 x 3/4 | 410 | .41 | 4.5 |
| DP13-STD1-139 | 14 x 20 x 1 | 13-1/2 x 19-1/2 x 3/4 | 585 | .41 | 4.5 |
| DP13-STD1-159 | 14 x 24 x 1 | 13-3/8 x 23-3/8 x 3/4 | 700 | .41 | 5.4 |
| DP13-STD1-141 | 14 x 25 x 1 | 13-1/2 x 24-1/2 x 3/4 | 730 | .41 | 5.7 |
| DP13-STD1-137 | 14 x 30 x 1* | 13-3/4 x 29-3/4 x 3/4 | 875 | .41 | 10.1 |
| DP13-STD1-145 | 15 x 20 x 1 | 14-1/2 x 19-1/2 x 3/4 | 625 | .41 | 5.0 |
| DP13-STD1-140 | 15 x 30 x 1* | 14-3/4 x 29-3/4 x 3/4 | 935 | .41 | 10.1 |
| DP13-STD1-143 | 16 x 16 x 1 | 15-1/2 x 15-1/2 x 3/4 | 530 | .41 | 5.3 |
| DP13-STD1-101 | 16 x 20 x 1 | 15-1/2 x 19-1/2 x 3/4 | 665 | .41 | 5.3 |
| DP13-STD1-116 | 16 x 24 x 1 | 15-3/8 x 23-3/8 x 3/4 | 800 | .41 | 6.3 |
| DP13-STD1-102 | 16 x 25 x 1 | 15-1/2 x 24-1/2 x 3/4 | 835 | .41 | 6.6 |
| DP13-STD1-146 | 16 x 30 x 1* | 15-3/4 x 29-3/4 x 3/4 | 1000 | .41 | 10.1 |
| DP13-STD1-163 | 18 x 18 x 1 | 17-3/4 x 17-3/4 x 3/4 | 675 | .41 | 6.0 |
| DP13-STD1-180 | 18 x 20 x 1 | 17-3/8 x 19-1/2 x 3/4 | 750 | .41 | 6.0 |
| DP13-STD1-182 | 18 x 22 x 1 | 17-3/8 x 21-1/2 x 3/4 | 825 | .41 | 7.2 |
| DP13-STD1-112 | 18 x 24 x 1 | 17-3/8 x 23-3/8 x 3/4 | 900 | .41 | 7.2 |
| DP13-STD1-185 | 18 x 25 x 1 | 17-1/2 x 24-1/2 x 3/4 | 935 | .41 | 7.5 |
| DP13-STD1-103 | 20 x 20 x 1 | 19-1/2 x 19-1/2 x 3/4 | 830 | .41 | 6.7 |
| DP13-STD1-166 | 20 x 22 x 1 | 19-3/4 x 21-3/4 x 3/4 | 915 | .41 | 8.0 |
| DP13-STD1-111 | 20 x 24 x 1 | 19-3/8 x 23-3/8 x 3/4 | 1000 | .41 | 8.0 |
| DP13-STD1-104 | 20 x 25 x 1 | 19-1/2 x 24-1/2 x 3/4 | 1040 | .41 | 8.4 |
| DP13-STD1-151 | 22 x 22 x 1 | 21-3/4 x 21-3/4 x 3/4 | 1250 | .41 | 8.9 |
| DP13-STD1-132 | 30 x 20 x 1 | 29-1/2 x 19-1/2 x 3/4 | 1005 | .41 | 10.1 |
| DP13-STD1-105 | 24 x 24 x 1 | 23-3/8 x 23-3/8 x 3/4 | 1200 | .41 | 9.5 |
| DP13-STD1-153 | 24 x 30 x 1* | 23-3/4 x 29-3/4 x 3/4 | 1500 | .41 | 12.0 |
| DP13-STD1-125 | 25 x 25 x 1 | 24-1/2 x 24-1/2 x 3/4 | 1300 | .41 | 10.5 |


* Reverse Pleat Direction

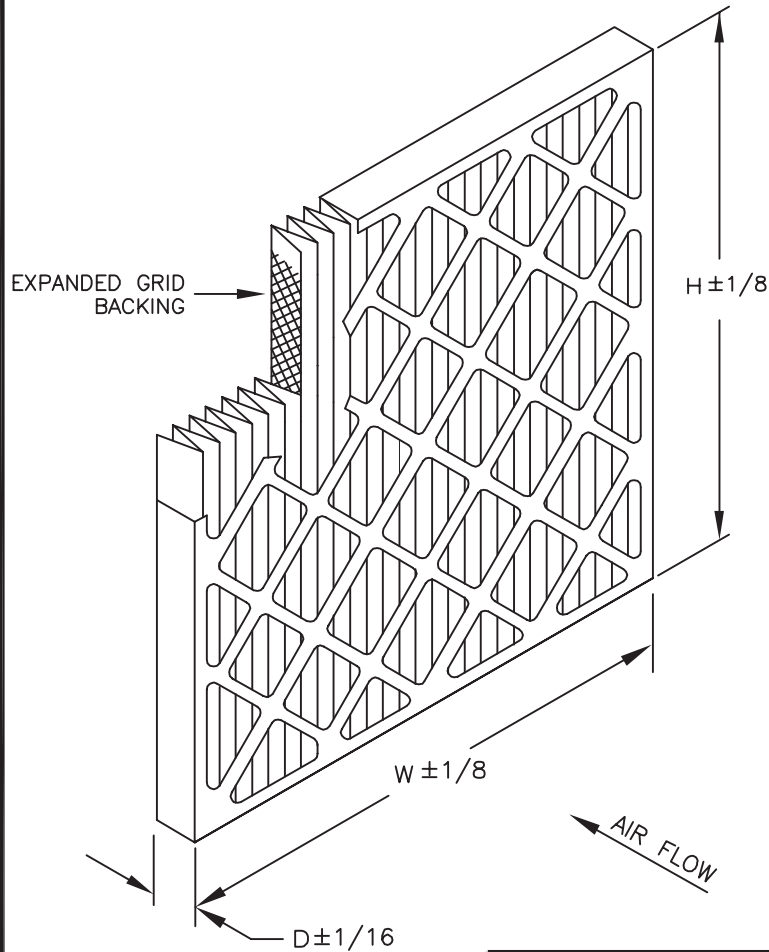
STANDARD CONSTRUCTION

1. 100% Synthetic White Un-Dyed Media
2. 17.0 Pleats Per Foot
3. Expanded Metal Pleat Supports
4. Moisture Resistant Beverage Board Frame
5. Double Wall Frame

NOTES

1. MERV 13 per ASHRAE 52.2-2007
2. Final Resistance: 1.0" W.G.
3. Rated Velocity: 300 FPM
4. Class 2 Filter Per U.L. Standard 900
5. Maximum Operating Temperature: 200 deg. F

| | | | | | | | |
|---|---|-----------------------------|--|---|-----------------------|------------------------|----------------------------------|
|  100 River Ridge Circle Jeffersonville, IN 47130 P: 866-247-4827 F: 502-961-0930 www.airguard.com | TOLERANCES UNLESS OTHERWISE SPECIFIED | | DRAWING NAME DP-GREEN13 1" DEPTH | | | | |
| | FRACTIONAL - DECIMAL - ANGLES - | APPROVED BY <i>K. Quinn</i> | | SPECIFICATION NO. MKT-B-00575 | PAGE 1 OF 1 | | |
| CONTACT FACTORY TO VERIFY REVISION LEVEL | | ALL DIMENSIONS IN INCHES | | SCALE NONE | DWG. SIZE A | REVISION NEW | REVISION DATE 04-02-09 |
| <small>CONFIDENTIAL - DO NOT COPY. THIS MATERIAL IS TRADE SECRET AND PROPRIETARY BEING EXCLUSIVELY OWNED BY CLG AIR. THE EXPRESSION OF THE INFORMATION CONTAINED HEREIN IS PROTECTED UNDER FEDERAL COPYRIGHT LAWS AND ALL COPYING IS PROHIBITED AND MAY BE SUBJECT TO CRIMINAL PENALTIES.</small> | | | | | | | |



| Model Number | Nominal Size (Inches) W x H x D | Actual Size (Inches) W x H x D | Rated Air Flow (CFM) | Initial Resistance (IN W.G.) | Media Area (Square Feet) |
|---------------|---------------------------------------|--------------------------------------|----------------------------|---------------------------------|-----------------------------|
| DP13-STD2-217 | 10 X 20 X 2 | 9-1/2 X 19-1/2 X 1-3/4 | 700 | .41 | 7.2 |
| DP13-STD2-220 | 12 X 20 X 2 | 11-1/2 X 19-1/2 X 1-3/4 | 840 | .41 | 8.8 |
| DP13-STD2-210 | 12 X 24 X 2 | 11-3/8 X 19-3/8 X 1-3/4 | 1000 | .41 | 10.5 |
| DP13-STD2-239 | 14 X 20 X 2 | 13-1/2 X 19-1/2 X 1-3/4 | 980 | .41 | 10.4 |
| DP13-STD2-241 | 14 X 25 X 2 | 13-1/2 X 24-1/2 X 1-3/4 | 1220 | .41 | 13.0 |
| DP13-STD2-245 | 15 X 20 X 2 | 14-1/2 X 19-1/2 X 1-3/4 | 1050 | .41 | 20.0 |
| DP13-STD2-201 | 16 X 20 X 2 | 15-1/2 X 19-1/2 X 1-3/4 | 1120 | .41 | 10.9 |
| DP13-STD2-216 | 16 X 24 X 2 | 15-3/8 X 19-3/8 X 1-3/4 | 1340 | .41 | 13.7 |
| DP13-STD2-202 | 16 X 25 X 2 | 15-1/2 X 24-1/2 X 1-3/4 | 1400 | .41 | 14.9 |
| DP13-STD2-280 | 18 X 20 X 2 | 17-1/2 X 19-1/2 X 1-3/4 | 1250 | .41 | 13.0 |
| DP13-STD2-212 | 18 X 24 X 2 | 17-3/8 X 23-3/8 X 1-3/4 | 1500 | .41 | 15.5 |
| DP13-STD2-285 | 18 X 25 X 2 | 17-1/2 X 24-1/2 X 1-3/4 | 1570 | .41 | 16.2 |
| DP13-STD2-203 | 20 X 20 X 2 | 19-1/2 X 19-1/2 X 1-3/4 | 1400 | .41 | 14.5 |
| DP13-STD2-211 | 20 X 24 X 2 | 19-3/8 X 23-3/8 X 1-3/4 | 1670 | .41 | 17.4 |
| DP13-STD2-204 | 20 X 25 X 2 | 19-1/2 X 24-1/2 X 1-3/4 | 1750 | .41 | 18.2 |
| DP13-STD2-232 | 20 X 30 X 2 | 19-1/2 X 29-1/2 X 1-3/4 | 2080 | .41 | 22.3 |
| DP13-STD2-205 | 24 X 24 X 2 | 23-3/8 X 23-3/8 X 1-3/4 | 2000 | .41 | 21.1 |
| DP13-STD2-225 | 25 X 25 X 2 | 24-1/2 X 24-1/2 X 13/4 | 2170 | .41 | 23.4 |

STANDARD CONSTRUCTION

1. 100% Synthetic White Media
2. 17.5 Pleats Per Foot
3. Expanded Metal Pleat Supports
4. Moisture Resistant Beverage Board Frame
5. Double Wall Frame

NOTES

1. MERV 13 per ASHRAE 52.2-2007
Tested at 492 FPM on 24x24x2 Nominal Size
2. Final Resistance: 1.0" W.G.
3. Rated Velocity: 500 FPM
4. Class 2 Filter Per U.L. Standard 900
5. Maximum Operating Temperature: 200 deg. F

AIRGUARD
 100 River Ridge Circle
 Jeffersonville, IN 47130
 P: 866-247-4827
 F: 502-961-0930
 www.airguard.com

CONTACT FACTORY TO
 VERIFY REVISION LEVEL

TOLERANCES
 UNLESS OTHERWISE SPECIFIED

FRACTIONAL -
 DECIMAL -
 ANGLES -

ALL DIMENSIONS IN INCHES

DRAWING NAME

DP-GREEN13 2" DEPTH

APPROVED BY

K. Quinn

SPECIFICATION NO.

MKT-B-00563

PAGE

1 OF 1

SCALE

NONE

DWG. SIZE

A

REVISION

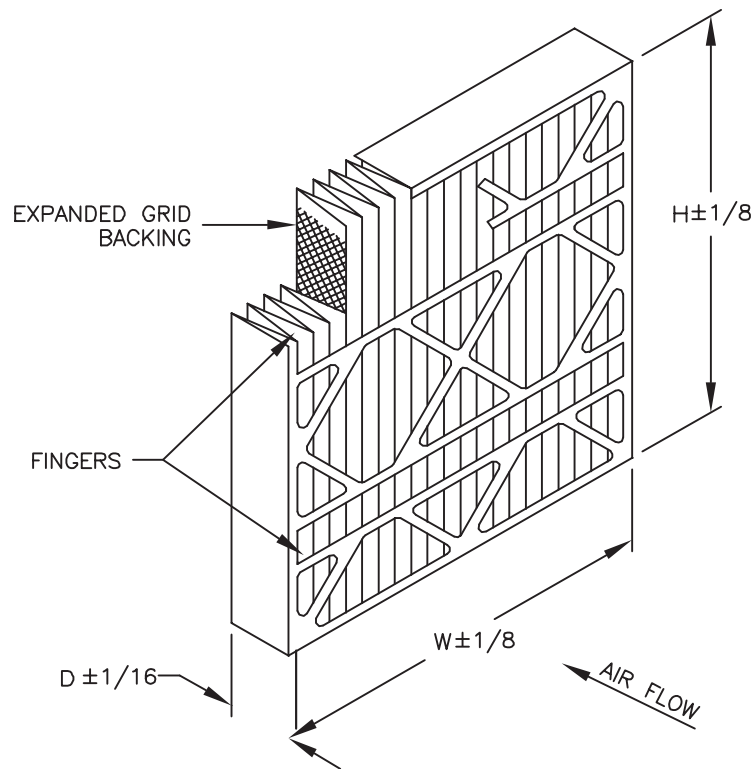
B

REVISION DATE

03/20/09

CONFIDENTIAL - DO NOT COPY. THIS MATERIAL IS TRADE SECRET AND PROPRIETARY BEING EXCLUSIVELY OWNED BY CLG AIR. THE EXPRESSION OF THE INFORMATION CONTAINED HEREIN IS PROTECTED UNDER FEDERAL COPYRIGHT LAWS AND ALL COPYING IS PROHIBITED AND MAY BE SUBJECT TO CRIMINAL PENALTIES.

| MODEL NUMBER | NOMINAL SIZE (H X W X D) | ACTUALL SIZE (H X W X D) | FLOW (CFM) | INT: RESISTANCE (IN W.G.) | SQUARE FEET OF MEDIA |
|--------------|-------------------------------|-------------------------------|-----------------|--------------------------------|-------------------------|
| DP13-STD4 | 12 X 24 X 4 | 11-3/8 X 23-3/8 X 3-3/4 | 1000 | .34 | 12.4 |
| DP13-STD4 | 16 X 20 X 4 | 15-1/2 X 19-1/2 X 3-3/4 | 1120 | .34 | 14.6 |
| DP13-STD4 | 16 X 25 X 4 | 15-1/2 X 24-1/2 X 3-3/4 | 1400 | .34 | 18.3 |
| DP13-STD4 | 18 X 24 X 4 | 17-3/8 X 23-3/8 X 3-3/4 | 1500 | .34 | 19.9 |
| DP13-STD4 | 20 X 20 X 4 | 19-1/2 X 19-1/2 X 3-3/4 | 1400 | .34 | 18.8 |
| DP13-STD4 | 20 X 24 X 4 | 19-3/8 X 23-3/8 X 3-3/4 | 1670 | .34 | 22.4 |
| DP13-STD4 | 20 X 25 X 4 | 19-1/2 X 24-1/2 X 3-3/4 | 1750 | .34 | 23.5 |
| DP13-STD4 | 24 X 24 X 4 | 23-3/8 X 23-3/8 X 3-3/4 | 2000 | .34 | 27.4 |




STANDARD CONSTRUCTION

1. 100% Synthetic Un-Dyed Media
2. 11 Pleats Per Foot
3. Expanded Metal Pleat Supports
4. Moisture Resistant Beverage Board Frame
5. Double Wall Frame
6. (2) Rows of Fingers on Air Entering Side

NOTES

1. MERV 13 ASHRAE 52.2-2007
Tested at 492 FPM on 24x24x4 Nominal Size
2. Final Resistance: 1.0" W.G.
3. Rated Velocity: 500 FPM
4. Class 2 Filter Per U.L. Standard 900
5. Maximum Operating Temperature: 200 deg. F

| | | | | | |
|---|--|--|--|--|-------------------------------------|
|  <p>100 River Ridge Circle Jeffersonville, IN 47130 P: 866-247-4827 F: 502-961-0930 www.airguard.com</p> | <p>TOLERANCES UNLESS OTHERWISE SPECIFIED</p> <p>FRACTIONAL - DECIMAL - ANGLES -</p> | <p>DRAWING NAME DP-GREEN13 4" DEPTH</p> | | | |
| | <p>CONTACT FACTORY TO VERIFY REVISION LEVEL</p> | <p>ALL DIMENSIONS IN INCHES</p> | <p>APPROVED BY <i>K. Quinn</i></p> | <p>SPECIFICATION NO. MKT-B-00564</p> | <p>PAGE 1 OF 1</p> |
| | | <p>SCALE NONE</p> | <p>DWG. SIZE A</p> | <p>REVISION NEW</p> | <p>REVISION DATE 03/17/2009</p> |
| <p>CONFIDENTIAL - DO NOT COPY. THIS MATERIAL IS TRADE SECRET AND PROPRIETARY BEING EXCLUSIVELY OWNED BY CLG AIR. THE EXPRESSION OF THE INFORMATION CONTAINED HEREIN IS PROTECTED UNDER FEDERAL COPYRIGHT LAWS AND ALL COPYING IS PROHIBITED AND MAY BE SUBJECT TO CRIMINAL PENALTIES.</p> | | | | | |