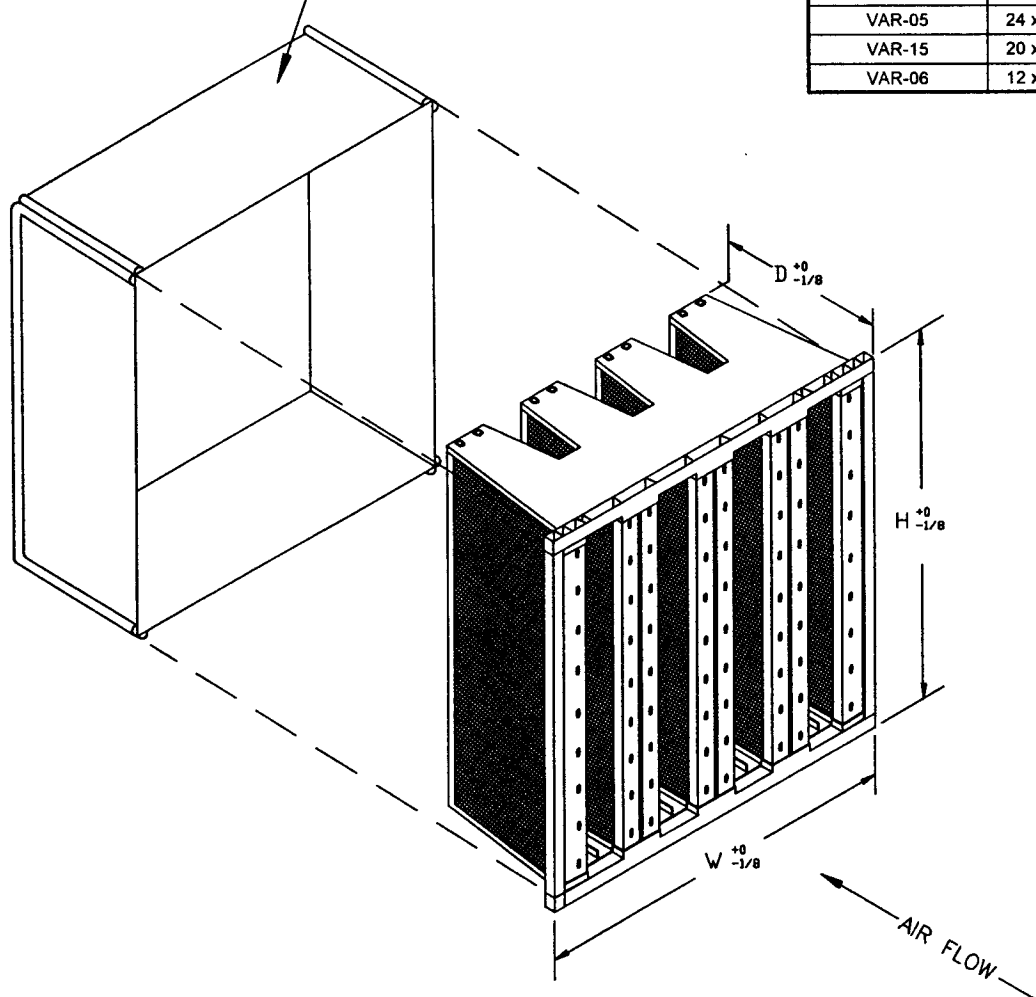


VARI-SOCK (SHOWN SEPARATELY)



Model Number	Nominal Size (Inches) H x W x D	Actual Size (Inches) H x W x D	Rated Air Flow (CFM)	Media	Initial Resistance (IN W.G.)	Media Weight (LBS)
VAR-05	24 x 24 x 12	23-3/8 x 23-3/8 x 11-1/2	2000	CSC	.76	26
VAR-15	20 x 24 x 12	19-3/8 x 23-3/8 x 11-1/2	1500	CSC	.76	21
VAR-06	12 x 24 x 12	11-3/8 x 23-3/8 x 11-1/2	1000	CSC	.76	12

**STANDARD CONSTRUCTION**

1. Standard Coconut Shell Carbon (CSC)  
60% Minimum Activity On Carbon Tetrachloride At 25 Deg. C (ASTM D-3467)  
6 x 12 US Mesh Particle Size (ASTM D-2862)
2. Honeycomb Panels Contain Media
3. Rigid Plastic End Caps
4. Galvanized Steel Strut Supports
5. Non-Volatile Hot Melt Sealant
6. Vari-Sock Afterfilter Installed

**NOTES**

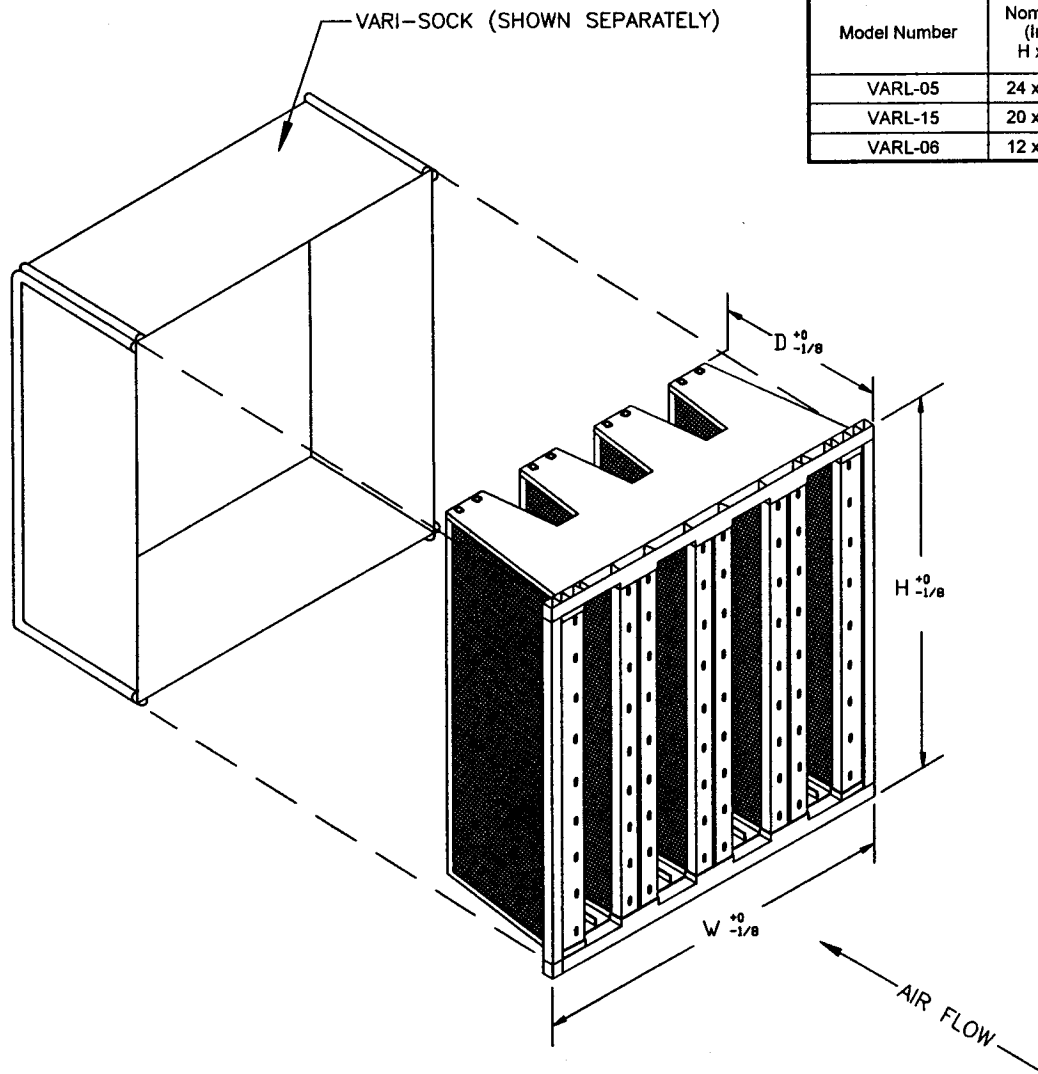
1. Rated Velocity 12" Deep - 500 FPM

**AIRGUARD** ONE SOURCE FOR AIR FILTRATION PRODUCTS  
 P.D. Box 32578  
 Louisville, KY 40232  
 P: 502-969-2304  
 F: 502-961-0930

CONTACT FACTORY TO VERIFY REVISION LEVEL

**TOLERANCES UNLESS OTHERWISE SPECIFIED**  
 FRACTIONAL  
 DECIMAL  
 ANGLES  
 ALL DIMENSIONS IN INCHES

DRAWING NAME <b>VARI-PURE (CSC)</b>			
APPROVED BY <i>[Signature]</i>	SPECIFICATION NO. MKT-B-00185	PAGE 1 OF 1	
SCALE NONE	DWG. SIZE A	REVISION NEW	REVISION DATE 01-02-01
CONFIDENTIAL - DO NOT COPY. THIS MATERIAL IS TRADE SECRET AND PROPRIETARY BEING EXCLUSIVELY OWNED BY AIRGUARD. THE EXPRESSION OF THE INFORMATION CONTAINED HEREIN IS PROTECTED UNDER FEDERAL COPYRIGHT LAWS AND ALL COPYING IS PROHIBITED AND MAY BE SUBJECT TO CRIMINAL PENALTIES.			



Model Number	Nominal Size (Inches) H x W x D	Actual Size (Inches) H x W x D	Rated Air Flow (CFM)	Media	Initial Resistance (IN W.G.)	Media Weight (LBS)
VARL-05	24 x 24 x 12	23-3/8 x 23-3/8 x 11-1/2	2000	CSC	.33	18
VARL-15	20 x 24 x 12	19-3/8 x 23-3/8 x 11-1/2	1500	CSC	.33	15
VARL-06	12 x 24 x 12	11-3/8 x 23-3/8 x 11-1/2	1000	CSC	.33	8

#### STANDARD CONSTRUCTION

- Standard Coconut Shell Carbon (CSC)  
60% Minimum Activity On Carbon Tetrachloride At 25 Deg. C (ASTM D-3467)  
4 x 8 US Mesh Particle Size (ASTM D-2862)  
Particle Size Distribution Will Be 8% Max Top And Bottom Screens Unless Otherwise Specified
- Honeycomb Panels Contain Media
- Rigid Plastic End Caps
- Galvanized Steel Strut Supports
- Non-Volatile Hot Melt Sealant
- Vari-Sock Afterfilter Installed

#### NOTES

- Rated Velocity 12" Deep - 500 FPM



ONE SOURCE  
FOR  
AIR FILTRATION  
PRODUCTS

P.O. Box 32578  
Louisville, KY 40232  
P: 502-969-2304  
F: 502-961-0930

CONTACT FACTORY TO  
VERIFY REVISION LEVEL

TOLERANCES  
UNLESS OTHERWISE SPECIFIED

FRACTIONAL  
DECIMAL  
ANGLES

ALL DIMENSIONS IN INCHES

DRAWING NAME

VARI-PURE LITE (CSC)

APPROVED BY

SPECIFICATION NO.

MKT-B-00187

PAGE

1 OF 1

SCALE

NONE

DWG. SIZE

A

REVISION

NEW

REVISION DATE

01-07-01

CONFIDENTIAL - DO NOT COPY. THIS MATERIAL IS TRADE SECRET AND PROPRIETARY BEING EXCLUSIVELY OWNED BY AIRGUARD. THE EXPRESSION OF THE INFORMATION CONTAINED HEREIN IS PROTECTED UNDER FEDERAL COPYRIGHT LAWS AND ALL COPYING IS PROHIBITED AND MAY BE SUBJECT TO CRIMINAL PENALTIES.