

Model Number	Nominal Size (Inches) W x H x D	Actual Size (Inches) W x H x D	Rated Air Flow (CFM)	Initial Resistance (IN W.G.)	Media Area (Square Feet)
DP40-117	10 x 20 x 1	9-1/2 x 19-1/2 x 3/4	425	.21	2.9
DP40-120	12 x 20 x 1	11-1/2 x 19-1/2 x 3/4	500	.21	3.1
DP40-110	12 x 24 x 1	11-3/8 x 23-3/8 x 3/4	600	.21	3.7
DP40-139	14 x 20 x 1	13-1/2 x 19-1/2 x 3/4	590	.21	3.8
DP40-141	14 x 25 x 1	13-1/2 x 24-1/2 x 3/4	730	.21	4.8
DP40-145	15 x 20 x 1	14-1/2 x 19-1/2 x 3/4	630	.21	4.1
DP40-101	16 x 20 x 1	15-1/2 x 19-1/2 x 3/4	670	.21	4.3
DP40-102	16 x 25 x 1	15-1/2 x 24-1/2 x 3/4	840	.21	5.3
DP40-112	18 x 24 x 1	17-3/8 x 23-3/8 x 3/4	900	.21	6.0
DP40-185	18 x 25 x 1	17-1/2 x 24-1/2 x 3/4	940	.21	6.2
DP40-103	20 x 20 x 1	19-1/2 x 19-1/2 x 3/4	840	.21	5.4
DP40-104	20 x 25 x 1	19-1/2 x 24-1/2 x 3/4	1050	.21	6.8
DP40-105	24 x 24 x 1	23-3/8 x 23-3/8 x 3/4	1200	.21	7.7
DP40-125	25 x 25 x 1	24-1/2 x 24-1/2 x 3/4	1310	.21	8.6
DP40-132	30 x 20 x 1	29-1/2 x 19-1/2 x 3/4	1250	.21	8.3

STANDARD CONSTRUCTION

1. Green Cotton / Polyester High Loft Media
2. 14.0 Pleats Per Foot
3. Expanded Metal Pleat Supports
4. Moisture Resistant Beverage Board Frame
5. Double Wall Frame

NOTES

1. Average Efficiency: 25-30% ASHRAE 52.1-1992
MERV 7 ASHRAE 52.2-1999
2. Final Resistance: 1.0" W.G.
3. Rated Velocity: 300 FPM
4. Class 2 Filter Per U.L. Standard 900
5. Maximum Operating Temperature: 225 deg. F



P.O. Box 32578
Louisville, KY 40232
P: 866-247-4827
F: 502-961-0930
www.airguard.com

CONTACT FACTORY TO
VERIFY REVISION LEVEL

TOLERANCES UNLESS OTHERWISE SPECIFIED

FRACTIONAL -
DECIMAL -
ANGLES -

ALL DIMENSIONS IN INCHES

DRAWING NAME

TYPE DP40 PLEAT (1" DEPTH)

APPROVED BY

K. Ch...

SPECIFICATION NO.

MKT-B-00150

PAGE

1 OF 1

SCALE

NONE

DWG. SIZE

A

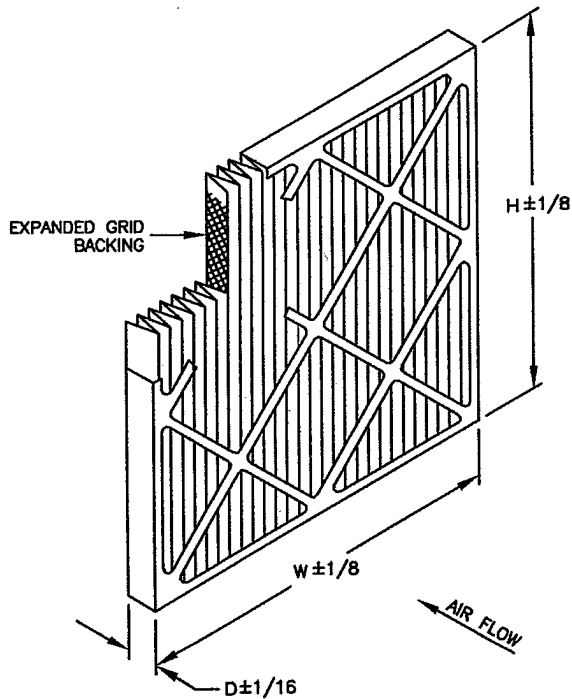
REVISION

C

REVISION DATE

07-26-2007

CONFIDENTIAL - DO NOT COPY. THIS MATERIAL IS TRADE SECRET AND PROPRIETARY BEING EXCLUSIVELY OWNED BY CLC AIR. THE EXPRESSION OF THE INFORMATION CONTAINED HEREIN IS PROTECTED UNDER FEDERAL COPYRIGHT LAWS AND ALL COPYING IS PROHIBITED AND MAY BE SUBJECT TO CRIMINAL PENALTIES.



Model Number	Nominal Size (Inches) W x H x D	Actual Size (Inches) W x H x D	Rated Air Flow (CFM)	Initial Resistance (IN W.G.)	Media Area (Square Feet)
DP40-217	10 x 20 x 2	9-1/2 x 19-1/2 x 1-3/4	700	.30	5.7
DP40-220	12 x 20 x 2	11-1/2 x 19-1/2 x 1-3/4	840	.30	7.3
DP40-210	12 x 24 x 2	11-3/8 x 23-3/8 x 1-3/4	1000	.30	8.6
DP40-239	14 x 20 x 2	13-1/2 x 19-1/2 x 1-3/4	980	.30	8.8
DP40-241	14 x 25 x 2	13-1/2 x 24-1/2 x 1-3/4	1220	.30	11.0
DP40-298	15 x 27 x 2	14-1/2 x 26-3/4 x 1-3/4	1350	.30	12.1
DP40-245	15 x 20 x 2	14-1/2 x 19-1/2 x 1-3/4	1050	.30	9.3
DP40-201	16 x 20 x 2	15-1/2 x 19-1/2 x 1-3/4	1120	.30	9.9
DP40-216	16 x 24 x 2	15-3/8 x 23-3/8 x 1-3/4	1340	.30	11.7
DP40-202	16 x 25 x 2	15-1/2 x 24-1/2 x 1-3/4	1400	.30	12.3
DP40-280	18 x 20 x 2	17-1/2 x 19-1/2 x 1-3/4	1250	.30	10.9
DP40-212	18 x 24 x 2	17-3/8 x 23-3/8 x 1-3/4	1500	.30	13.0
DP40-285	18 x 25 x 2	17-1/2 x 24-1/2 x 1-3/4	1570	.30	13.6
DP40-203	20 x 20 x 2	19-1/2 x 19-1/2 x 1-3/4	1400	.30	11.9
DP40-211	20 x 24 x 2	19-3/8 x 23-3/8 x 1-3/4	1670	.30	14.2
DP40-204	20 x 25 x 2	19-1/2 x 24-1/2 x 1-3/4	1750	.30	14.9
DP40-205	24 x 24 x 2	23-3/8 x 23-3/8 x 1-3/4	2000	.30	17.6
DP40-225	25 x 25 x 2	24-1/2 x 24-1/2 x 1-3/4	2170	.30	19.4

STANDARD CONSTRUCTION

1. Green Cotton / Polyester High Loft Media
2. 14.3 Pleats Per Foot
3. Expanded Metal Pleat Supports
4. Moisture Resistant Beverage Board Frame
5. Double Wall Frame

NOTES

1. Average Efficiency: 25-30% ASHRAE 52.1-1992
MERV 7 ASHRAE 52.2-1999
2. Final Resistance: 1.0" W.G.
3. Rated Velocity: 500 FPM
4. Class 2 Filter Per U.L. Standard 900
5. Maximum Operating Temperature: 225 deg. F



P.O. Box 32578
Louisville, KY 40232
P: 866-247-4827
F: 502-961-0930
www.airguard.com

**CONTACT FACTORY TO
VERIFY REVISION LEVEL**

**TOLERANCES
UNLESS OTHERWISE SPECIFIED**

FRACTIONAL -
DECIMAL -
ANGLES -

ALL DIMENSIONS IN INCHES

DRAWING NAME

TYPE DP40 PLEAT (2" DEPTH)

APPROVED BY

H. C. ...

SPECIFICATION NO.

MKT-B-00151

PAGE

1 OF 1

SCALE

NONE

DWG. SIZE

A

REVISION

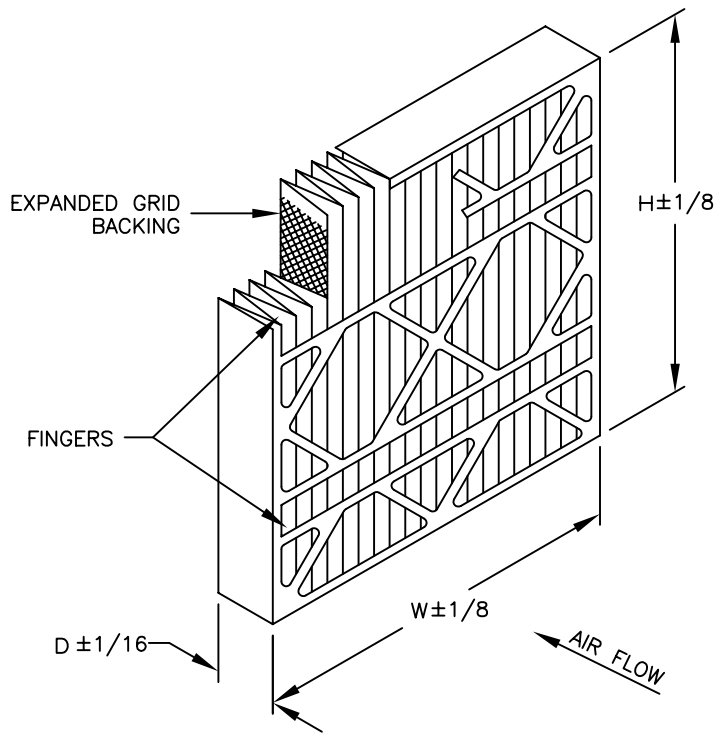
E

REVISION DATE

07-25-07

CONFIDENTIAL - DO NOT COPY. THIS MATERIAL IS TRADE SECRET AND PROPRIETARY BEING EXCLUSIVELY OWNED BY CLC AIR. THE EXPRESSION OF THE INFORMATION CONTAINED HEREIN IS PROTECTED UNDER FEDERAL COPYRIGHT LAWS AND ALL COPYING IS PROHIBITED AND MAY BE SUBJECT TO CRIMINAL PENALTIES.

Model Number	(Inches) W x H x D	(Inches) W x H x D	Flow (CFM)	(IN W.G.)	(Square Feet)
DP40-410	12 x 24 x 4	11-3/8 x 23-3/8 x 3-3/4	1000	.25	12.4
DP40-498	15 x 27 x 4	14-1/2 x 26-3/4 x 3-3/4	1350	.25	20.8
DP40-401	16 x 20 x 4	15-1/2 x 19-1/2 x 3-3/4	1120	.25	14.6
DP40-402	16 x 25 x 4	15-3/8 x 24-3/8 x 3-3/4	1400	.25	18.3
DP40-412	18 x 24 x 4	17-1/2 x 23-1/2 x 3-3/4	1500	.25	19.9
DP40-403	20 x 20 x 4	19-1/2 x 19-1/2 x 3-3/4	1400	.25	18.8
DP40-411	20 x 24 x 4	19-3/8 x 23-3/8 x 3-3/4	1670	.25	22.4
DP40-404	20 x 25 x 4	19-1/2 x 24-1/2 x 3-3/4	1750	.25	23.5
DP40-405	24 x 24 x 4	23-3/8 x 23-3/8 x 3-3/4	2000	.25	26.1
DP40-424	29 x 25 x 4	28-1/2 x 25-1/2 x 3-3/4	2430	.25	32.6
DP40-430	30 x 28 x 4	29-1/2 x 27-1/2 x 3-3/4	2920	.25	38.5



STANDARD CONSTRUCTION

1. Green Cotton / Polyester High Loft Media
2. 10.8 Pleats Per Foot
3. Expanded Metal Pleat Supports
4. Moisture Resistant Beverage Board Frame
5. Double Wall Frame
6. (2) Rows of Fingers on Air Entering Side

NOTES

1. Average Efficiency: 25-30% ASHRAE 52.1-1992
MERV 7 ASHRAE 52.2-1999
2. Final Resistance: 1.0" W.G.
3. Rated Velocity: 500 FPM
4. Class 2 Filter Per U.L. Standard 900
5. Maximum Operating Temperature: 225 deg. F



P.O. Box 32578
Louisville, KY 40232
P: 866-247-4827
F: 502-961-0930
www.airguard.com

CONTACT FACTORY TO
VERIFY REVISION LEVEL

**TOLERANCES
UNLESS OTHERWISE SPECIFIED**

FRACTIONAL -
DECIMAL -
ANGLES -

ALL DIMENSIONS IN INCHES

DRAWING NAME

TYPE DP40 PLEAT (4" DEPTH)

APPROVED BY

K. Quinn

SPECIFICATION NO.

MKT-B-00152

PAGE

1 OF 1

SCALE

NONE

DWG. SIZE

A

REVISION

E

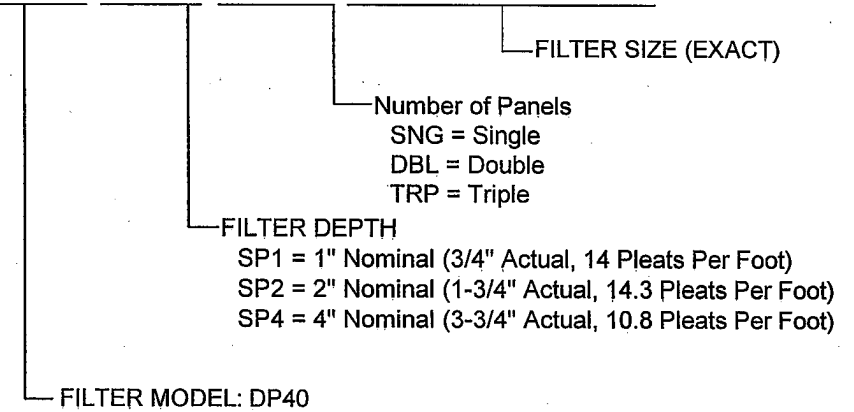
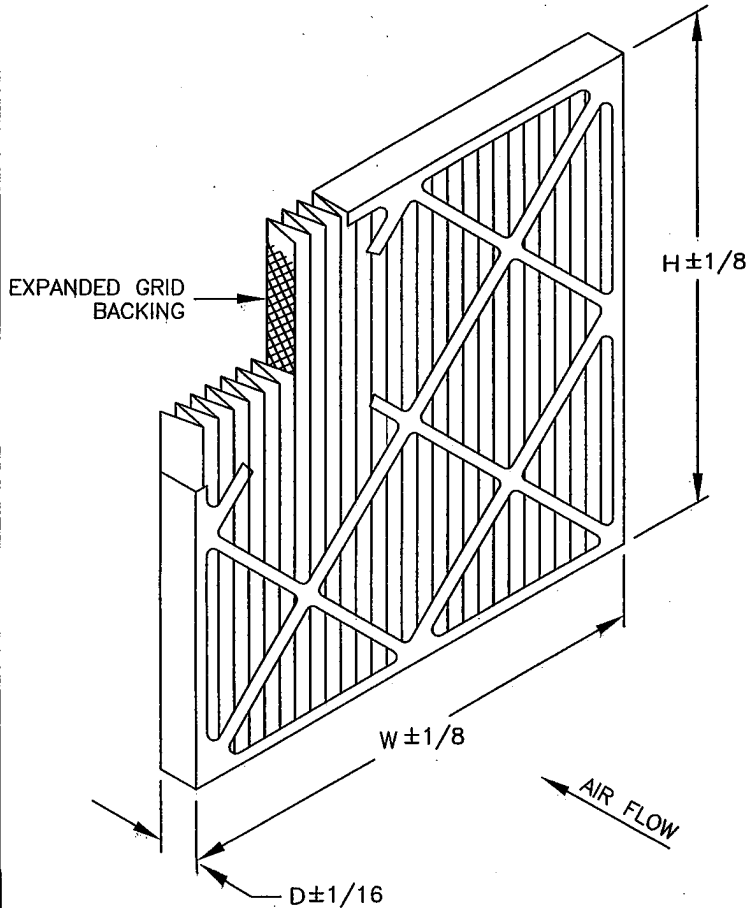
REVISION DATE

01-30-08

CONFIDENTIAL - DO NOT COPY. THIS MATERIAL IS TRADE SECRET AND PROPRIETARY BEING EXCLUSIVELY OWNED BY CLC AIR. THE EXPRESSION OF THE INFORMATION CONTAINED HEREIN IS PROTECTED UNDER FEDERAL COPYRIGHT LAWS AND ALL COPYING IS PROHIBITED AND MAY BE SUBJECT TO CRIMINAL PENALTIES.

SPECIAL SIZE DESCRIPTION

DP40 SP1-SNG 12.5X12.5X1



STANDARD CONSTRUCTION


1. Green Cotton / Polyester High Loft Media
2. Expanded Metal Pleat Supports
3. Moisture Resistant Beverage Board Frame

NOTES

1. Average Efficiency: 25-30% ASHRAE 52.1-1992 MERV 7 ASHRAE 52.2-1999
2. Final Resistance: 1.0" W.G.
3. Rated Velocity: 500 FPM
4. Class 2 Filter Per U.L. Standard 900
5. Maximum Operating Temperature: 225 deg. F
6. All Special Sizes are Exact
7. Filters Built to Nearest 1/8"

THE MAXIMUM SIZE OF A SINGLE FILTER IS 30" WIDE X 28" HIGH. ANY FILTER EXCEEDING EITHER OF THESE DIMENSIONS WILL BE MADE AS AN OVERSIZE FILTER PER THE FOLLOWING CHART.

HEIGHT		WIDTH		
	6" - 30"	GREATER THAN 30" UP TO 60"	GREATER THAN 60" UP TO 90"	
	6" - 28"	SINGLE	DOUBLE	TRIPLE
		WIDTH		
	6" - 28"	GREATER THAN 28" UP TO 56"	GREATER THAN 56" UP TO 84"	
	GREATER THAN 28" UP TO 30"	SINGLE REVERSABLE PLEAT DIRECTION	DOUBLE REVERSABLE PLEAT DIRECTION	TRIPLE REVERSABLE PLEAT DIRECTION



ONE SOURCE
FOR ALL
AIR FILTRATION
PRODUCTS

A CLARCOR COMPANY

P.O. Box 32578
Louisville, KY 40232
P: 502-969-2304
F: 502-961-0930

CONTROLLED DOCUMENT

IF THIS DOCUMENT IS NOT "BUFF" IN COLOR,
IT MAY NOT BE CURRENT.

TOLERANCES UNLESS OTHERWISE SPECIFIED		DP40 SPECIAL SIZE			
FRACTIONAL	DECIMAL	ANGLES	ALL DIMENSIONS IN INCHES		♦ DENOTES CRITICAL DIMENSION
DRAWING NAME		APPROVED BY		SPECIFICATION NO.	
		<i>[Signature]</i>		MKT-B-00540	
SCALE		DWG. SIZE		REVISION	
NONE		A		NEW	
				REVISION DATE	
				7/30/2007	
CONFIDENTIAL - DO NOT COPY. THIS MATERIAL IS TRADE SECRET AND PROPRIETARY BEING EXCLUSIVELY OWNED BY AIRGUARD. THE EXPRESSION OF THE INFORMATION CONTAINED HEREIN IS PROTECTED UNDER FEDERAL COPYRIGHT LAWS AND ALL COPYING IS PROHIBITED AND MAY BE SUBJECT TO CRIMINAL PENALTIES.					