


MODEL NUMBER	NOMINAL SIZE (INCHES) W X H X D	ACTUAL SIZE (INCHES) H x W x D	RATED AIR FLOW (CFM)	INITIAL RESISTANCE (In. W.G.)	MEDIA AREA (SQ. FT)
MX40-117	10 X 20 X 1	9-1/2 X 19-1/2 X 3/4	425	.22	2.4
MX40-120	12 X 20 X 1	11-1/2 X 19-1/2 X 3/4	500	.22	2.9
MX40-110	12 X 24 X 1	11-3/8 X 23-3/8 X 3/4	600	.22	3.4
MX40-139	14 X 20 X 1	13-1/2 X 19-1/2 X 3/4	590	.22	3.4
MX40-141	14 X 25 X 1	13-1/2 X 24-1/2 X 3/4	730	.22	4.2
MX40-145	15 X 20 X 1	14-1/2 X 19-1/2 X 3/4	630	.22	3.6
MX40-101	16 X 20 X 1	15-1/2 X 19-1/2 X 3/4	670	.22	3.8
MX40-102	16 X 25 X 1	15-1/2 X 24-1/2 X 3/4	840	.22	4.8
MX40-112	18 X 24 X 1	17-3/8 X 23-3/8 X 3/4	900	.22	5.2
MX40-185	18 X 25 X 1	17-1/2 X 24-1/2 X 3/4	940	.22	5.3
MX40-103	20 X 20 X 1	19-1/2 X 19-1/2 X 3/4	840	.22	4.7
MX40-104	20 X 25 X 1	19-1/2 X 24-1/2 X 3/4	1050	.22	5.9
MX40-105	24 X 24 X 1	23-3/8 X 23-3/8 X 3/4	1200	.22	6.8
MX40-125	25 X 25 X 1	24-1/2 X 24-1/2 X 3/4	1310	.22	7.4
MX40-132	30 X 20 X 1	29-1/2 X 19-1/2 X 3/4	1250	.22	7.1

**STANDARD CONSTRUCTION**

1. GREEN COTTON / POLYESTER HIGH LOFTED MEDIA
2. 12 PLEATS PER FOOT
3. EXPANDED METAL PLEAT SUPPORTS
4. MOISTURE RESISTANT BEVERAGE BOARD FRAME
5. DOUBLE WALL FRAME

**NOTES**

1. AVERAGE EFFICIENCY: 25-30% ASHRAE 52.1-1992 MERV 7 ASHRAE 52.2-1999
2. FINAL RESISTANCE: 1.0" W.G.
3. RATED VELOCITY: 300 FPM
4. CLASS 2 FILTER PER U.L. STANDARD 900
5. MAXIMUM OPERATING TEMPERATURE: 225 DEG F


**AIRGUARD**  
a CLARCOR company  
 P.O. Box 32578  
 Louisville, KY 40232  
 P: 866-247-4827  
 F: 502-961-0930  
 www.airguard.com

**CONTACT FACTORY TO  
VERIFY REVISION LEVEL**

**TOLERANCES  
UNLESS OTHERWISE SPECIFIED**

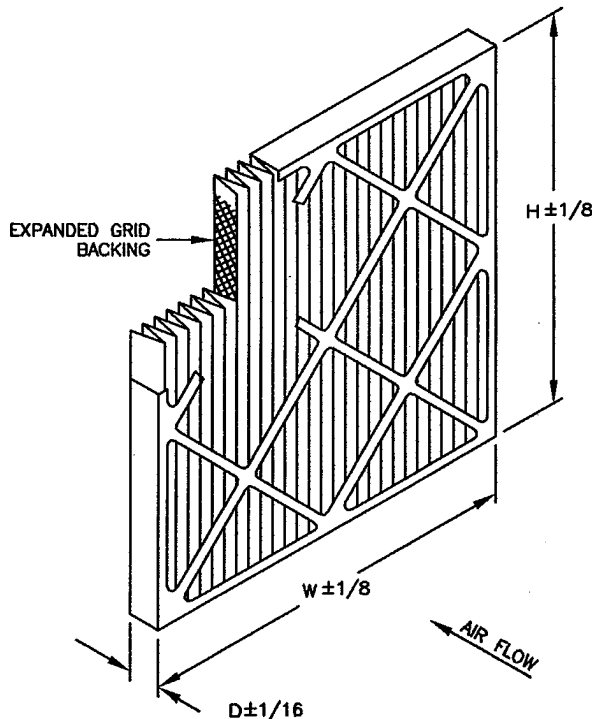
- FRACTIONAL -  
 DECIMAL -  
 ANGLES -

ALL DIMENSIONS IN INCHES

**DRAWING NAME**  
TYPE DP-MAX PLEAT (1" DEPTH)

APPROVED BY *[Signature]* SPECIFICATION NO. MKT-B-00153 PAGE 1 OF 1  
 SCALE NONE DWG. SIZE A REVISION D REVISION DATE 8-02-2007

CONFIDENTIAL - DO NOT COPY. THIS MATERIAL IS TRADE SECRET AND PROPRIETARY BEING EXCLUSIVELY OWNED BY CLC AIR. THE EXPRESSION OF THE INFORMATION CONTAINED HEREIN IS PROTECTED UNDER FEDERAL COPYRIGHT LAWS AND ALL COPYING IS PROHIBITED AND MAY BE SUBJECT TO CRIMINAL PENALTIES.



MODEL NUMBER	NOMINAL SIZE IN. W X H X D	ACTUAL SIZE IN. W X H X D	RATED AIR FLOW CFM	INITIAL RESISTANCE IN. W.G.	MEDIA AREA SQ. FT.
MX40-217	10 X 20 X 2	9-1/2 X 19-1/2 X 1-3/4	700	.32	4.7
MX40-220	12 X 20 X 2	11-1/2 X 19-1/2 X 1-3/4	840	.32	5.2
MX40-210	12 X 24 X 2	11-3/8 X 23-3/8 X 1-3/4	1000	.32	5.6
MX40-239	14 X 20 X 2	13-1/2 X 19-1/2 X 1-3/4	980	.32	5.7
MX40-241	14 X 25 X 2	13-1/2 X 24-1/2 X 1-3/4	1220	.32	7.1
MX40-245	15 X 20 X 2	14-1/2 X 19-1/2 X 1-3/4	1050	.32	6.2
MX40-201	16 X 20 X 2	15-1/2 X 19-1/2 X 1-3/4	1120	.32	6.7
MX40-216	16 X 24 X 2	15-3/8 X 23-3/8 X 1-3/4	1340	.32	8.0
MX40-202	16 X 25 X 2	15-1/2 X 24-1/2 X 1-3/4	1400	.32	8.4
MX40-280	18 X 20 X 2	17-1/2 X 19-1/2 X 1-3/4	1250	.32	7.8
MX40-212	18 X 24 X 2	17-3/8 X 23-3/8 X 1-3/4	1500	.32	9.3
MX40-285	18 X 25 X 2	17-1/2 X 24-1/2 X 1-3/4	1570	.32	9.7
MX40-203	20 X 20 X 2	19-1/2 X 19-1/2 X 1-3/4	1400	.32	8.3
MX40-211	20 X 24 X 2	19-3/8 X 23-3/8 X 1-3/4	1670	.32	9.9
MX40-204	20 X 25 X 2	19-1/2 X 24-1/2 X 1-3/4	1750	.32	10.3
MX40-205	24 X 24 X 2	23-3/8 X 23-3/8 X 1-3/4	2000	.32	11.7
MX40-225	25 X 25 X 2	24-1/2 X 24-1/2 X 1-3/4	2170	.32	13.6

**STANDARD CONSTRUCTION**

1. GREEN COTTON / POLYESTER HIGH LOFT MEDIA
2. 10.0 PLEATS PER FOOT
3. EXPANDED METAL PLEAT SUPPORTS
4. MOISTURE RESISTANT BEVERAGE BOARD FRAME
5. DOUBLE WALL FRAME

**NOTES**

1. AVERAGE EFFICIENCY: 25-30% ASHRAE 52.1-1992 MERV 7 ASHRAE 52.2-1999
2. FINAL RESISTANCE: 1.0" W.G.
3. RATED VELOCITY: 500 FPM
4. CLASS 2 FILTER PER U.L. STANDARD 900
5. MAXIMUM OPERATING TEMPERATURE: 225 DEG. F



P.O. Box 32578  
Louisville, KY 40232  
P: 866-247-4827  
F: 502-961-0930  
www.airguard.com

CONTACT FACTORY TO  
VERIFY REVISION LEVEL

**TOLERANCES  
UNLESS OTHERWISE SPECIFIED**

FRACTIONAL -  
DECIMAL -  
ANGLES -

ALL DIMENSIONS IN INCHES

**DRAWING NAME**

**TYPE DP-MAX PLEAT (2" DEPTH)**

**APPROVED BY**

*K. O. [Signature]*

**SPECIFICATION NO.**

MKT-B-00154

**PAGE**

1 OF 1

**SCALE**

NONE

**DWG. SIZE**

A

**REVISION**

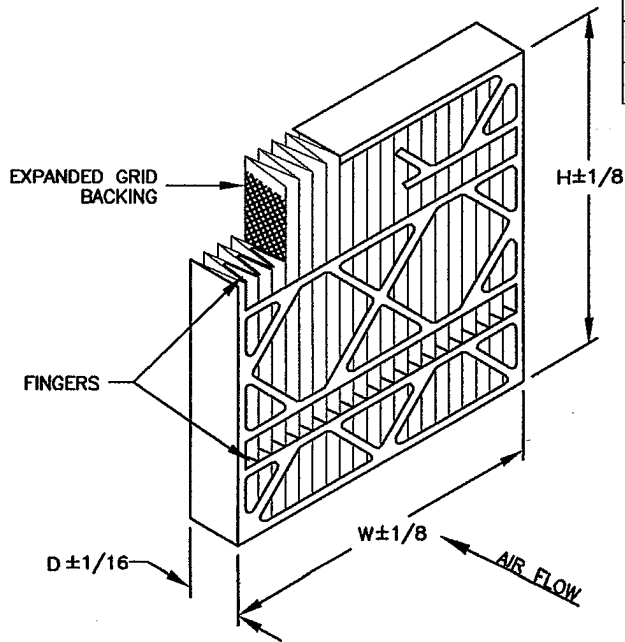
D

**REVISION DATE**

8/02/2007

CONFIDENTIAL - DO NOT COPY. THIS MATERIAL IS TRADE SECRET AND PROPRIETARY BEING EXCLUSIVELY OWNED BY CFC AIR. THE EXPRESSION OF THE INFORMATION CONTAINED HEREIN IS PROTECTED UNDER FEDERAL COPYRIGHT LAWS AND ALL COPYING IS PROHIBITED AND MAY BE SUBJECT TO CRIMINAL PENALTIES.

MODEL NUMBER	NOMINAL SIZE W X H X D	ACTUAL SIZE W X H X D	RATED AIR FLOW CFM	INITIAL RESISTANCE IN W.C.	MEDIA AREA SQ. FT.
MX40-410	12 X 24 X 4	11-3/8 X 23-3/8 X 3-3/4	1000	.27	10.0
MX40-498	15 X 27 X 4	14-1/2 X 26-3/4 X 3-3/4	1350	.27	14.3
MX40-401	16 X 20 X 4	15-1/2 X 19-1/2 X 3-3/4	1120	.27	11.5
MX40-402	16 X 25 X 4	15-1/2 X 24-1/2 X 3-3/4	1400	.27	14.3
MX40-412	18 X 24 X 4	17-3/8 X 23-3/8 X 3-3/4	1500	.27	14.9
MX40-403	20 X 20 X 4	19-1/2 X 19-1/2 X 3-3/4	1400	.27	14.6
MX40-411	20 X 24 X 4	19-3/8 X 23-3/8 X 3-3/4	1670	.27	16.2
MX40-404	20 X 25 X 4	19-1/2 X 24-1/2 X 3-3/4	1750	.27	18.3
MX40-405	24 X 24 X 4	23-3/8 X 23-3/8 X 3-3/4	2000	.27	19.9
MX40-428	29 X 25 X 4	28-1/2 X 24-1/2 X 3-3/4	2430	.27	24.9
MX40-431	30 X 28 X 4	29-1/2 X 27-1/2 X 3-3/4	2920	.27	31.1



**STANDARD CONSTRUCTION**

1. Green Cotton / Polyester High Loft Media
2. 9 Pleats Per Foot
3. Expanded Metal Pleat Supports
4. Moisture Resistant Beverage Board Frame
5. Double Wall Frame
6. (2) Rows of Fingers on Air Entering Side

**NOTES**

1. Average Efficiency: 25-30% ASHRAE 52.1-1992  
MERV 7 ASHRAE 52.2-1999
2. Final Resistance: 1.0" W.G.
3. Rated Velocity: 500 FPM
4. Class 2 Filter Per U.L. Standard 900
5. Maximum Operating Temperature: 225 deg. F



P.O. Box 32578  
Louisville, KY 40232  
P: 866-247-4827  
F: 502-961-0930  
www.airguard.com

CONTACT FACTORY TO  
VERIFY REVISION LEVEL

**TOLERANCES  
UNLESS OTHERWISE SPECIFIED**

FRACTIONAL -  
DECIMAL -  
ANGLES -

ALL DIMENSIONS IN INCHES

DRAWING NAME

**TYPE DP-MAX PLEAT (4" DEPTH)**

APPROVED BY

*K. Owen*

SPECIFICATION NO.

MKT-B-00155

PAGE

1 OF 1

SCALE

NONE

DWG. SIZE

A

REVISION

D

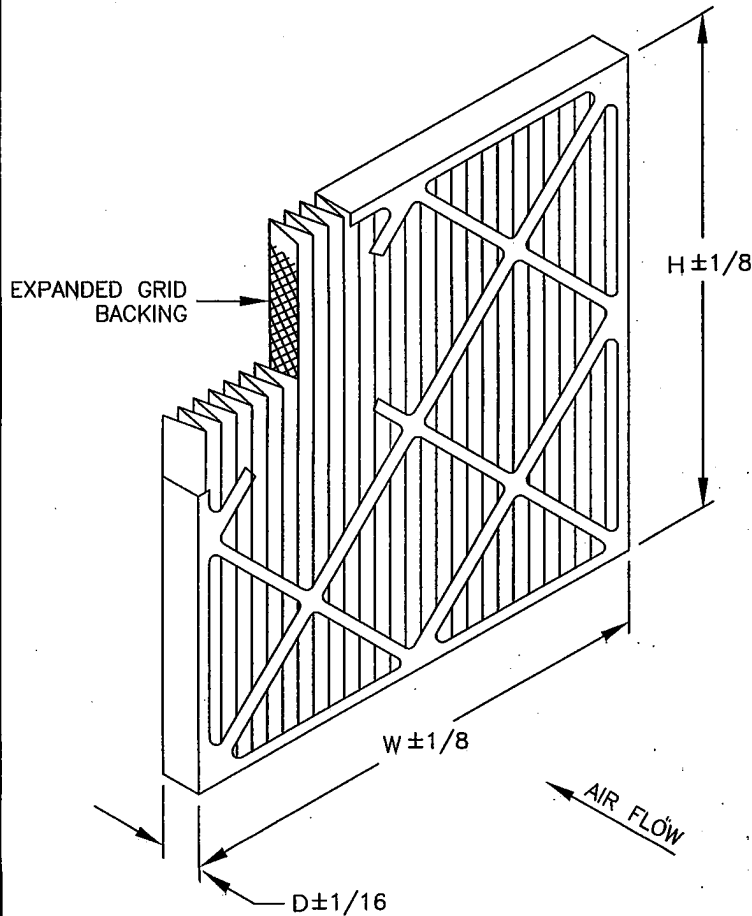
REVISION DATE

8/02/2007

CONFIDENTIAL - DO NOT COPY. THIS MATERIAL IS TRADE SECRET AND PROPRIETARY BEING EXCLUSIVELY OWNED BY CLC AIR. THE EXPRESSION OF THE INFORMATION CONTAINED HEREIN IS PROTECTED UNDER FEDERAL COPYRIGHT LAWS AND ALL COPYING IS PROHIBITED AND MAY BE SUBJECT TO CRIMINAL PENALTIES.

# SPECIAL SIZE DESCRIPTION

## MX40 SP1-SNG 12.5X12.5X1



FILTER SIZE (EXACT)

Number of Panels  
 SNG = Single  
 DBL = Double  
 TRP = Triple

FILTER DEPTH

SP1 = 1" Nominal (3/4" Actual, 12.3 Pleats Per Foot)  
 SP2 = 2" Nominal (1-3/4" Actual, 10.0 Pleats Per Foot)  
 SP4 = 4" Nominal (3-3/4" Actual, 8.2 Pleats Per Foot)

FILTER MODEL: MX40

### STANDARD CONSTRUCTION

1. Green Cotton / Polyester High Loft Media
2. Expanded Metal Pleat Supports
3. Moisture Resistant Beverage Board Frame

### NOTES

1. Average Efficiency: 25-30% ASHRAE 52.1-1992 MERV 7 ASHRAE 52.2-1999
2. Final Resistance: 1.0" W.G.
3. Rated Velocity: 500 FPM
4. Class 2 Filter Per U.L. Standard 900
5. Maximum Operating Temperature: 225 deg. F
6. All Special Sizes are Exact
7. Filters Built to Nearest 1/8"

THE MAXIMUM SIZE OF A SINGLE FILTER IS 30" WIDE X 28" HIGH. ANY FILTER EXCEEDING EITHER OF THESE DIMENSIONS WILL BE MADE AS AN OVERSIZE FILTER PER THE FOLLOWING CHART.

H E I G H T	6" - 28"	WIDTH		
		6" - 30"	GREATER THAN 30" UP TO 60"	GREATER THAN 60" UP TO 90"
G R E A T E R T H A N 2 8 " U P T O 3 0"	GREATER THAN 28" UP TO 30"	WIDTH		
		6" - 28"	GREATER THAN 28" UP TO 56"	GREATER THAN 56" UP TO 84"
		SINGLE REVERSABLE PLEAT DIRECTION	DOUBLE REVERSABLE PLEAT DIRECTION	TRIPLE REVERSABLE PLEAT DIRECTION

**AIRGUARD**  
 A CLARCOR COMPANY

ONE SOURCE FOR ALL AIR FILTRATION PRODUCTS

P.O. Box 32578  
 Louisville, KY 40232  
 P: 502-969-2304  
 F: 502-961-0930

**CONTROLLED DOCUMENT**  
 IF THIS DOCUMENT IS NOT "BUFF" IN COLOR, IT MAY NOT BE CURRENT.

**TOLERANCES**  
 UNLESS OTHERWISE SPECIFIED

FRACTIONAL  
 DECIMAL  
 ANGLES

ALL DIMENSIONS IN INCHES

♦ DENOTES CRITICAL DIMENSION

DRAWING NAME: **TYPE DP-MAX SPECIAL SIZE**

APPROVED BY: *H. C. [Signature]*

SPECIFICATION NO.: MKT-B-00539

PAGE: 1 OF 1

SCALE: NONE

DWG. SIZE: A

REVISION: NEW

REVISION DATE: 7/30/2007

CONFIDENTIAL - DO NOT COPY. THIS MATERIAL IS TRADE SECRET AND PROPRIETARY BEING EXCLUSIVELY OWNED BY AIRGUARD. THE EXPRESSION OF THE INFORMATION CONTAINED HEREIN IS PROTECTED UNDER FEDERAL COPYRIGHT LAWS AND ALL COPYING IS PROHIBITED AND MAY BE SUBJECT TO CRIMINAL PENALTIES.