



ISO 9001  
Certified

AC or Battery Powered

# Automatic - Sensor Operated FAUCETS AND FLUSH VALVES



1000C Series  
Cast 4" Centerset  
(non-mixing)  
H-1000C (AC)  
HB-1000C (Bat)



2603C Series  
Single-hole deck mount  
(non-mixing)  
H-2603C (AC)  
HB-2603C (Bat)



3000C Series  
Mixing faucet with Manual  
Temp.  
Adjust - Manual Off/On  
H-3000C (AC)  
HB-3000C (Bat)  
(Single-hole deck mount)



4000C Series  
Mixing faucet with Manual  
Temp.  
Adjust - Manual Off/On  
H-4000C (AC)  
HB-4000C (Bat)  
(Single-hole deck mount)



5000E Series  
Single-hole deck mount  
(non-mixing)  
H-5000E (AC)  
HB-5000E (Bat)  
(Single-hole deck mount)



5000EM Series  
Mixing faucet with Manual  
Temp.  
Adjust - Manual Off/On  
H-5000EM (AC)  
HB-5000EM (Bat)  
(Single-hole deck mount)



6000C Series  
Deck Mount Gooseneck  
(non-mixing)  
H-6000C (AC)  
HB-6000C (Bat)



6700C Series  
Wall Mount Gooseneck  
(non-mixing)  
H-6700C (AC)  
HB-6700C (Bat)

## ACCESSORIES



HB8RFKC (Battery)  
Automatic Flush Valve  
Retrofit Kit  
HB8RFKC-C (Closet)  
HB8RFKC-U (Urinal)



HB-8000C Series (Bat)  
Automatic Flush Valve  
HB-8000CA (Closet)  
HB-8000CA-1.28 (Closet)  
HB-8000CB1 (Urinal)  
HB-8000CB2 (Urinal)



H-8000C Series (AC)  
Automatic Flush Valve  
H-8000CA (Closet)  
H-8000CA-1.28 (Closet)  
H-8000CB1 (Urinal)  
H-8000CB2 (Urinal)



9000C Series  
Automatic Shower  
H-9000C (AC)  
HB-9000C (BAT)

[Concealed Flush Valves](#)

[Concealed Flush Valves with Wall Box](#)



# Solid Brass AC or Battery Powered Automatic Faucet

ISO 9002 Certified



## High Technology For No Touch Operation

- ADA Compliant. Meets all barrier free codes
- Conserves water and energy
- Easily installed in new or retrofit applications
- Competitively priced for today's commercial market
- Promotes cleanliness & hygiene
- Proven Hydrotek craftsmanship and reliability

1000C Series  
U.S. Patent: 6192530B1

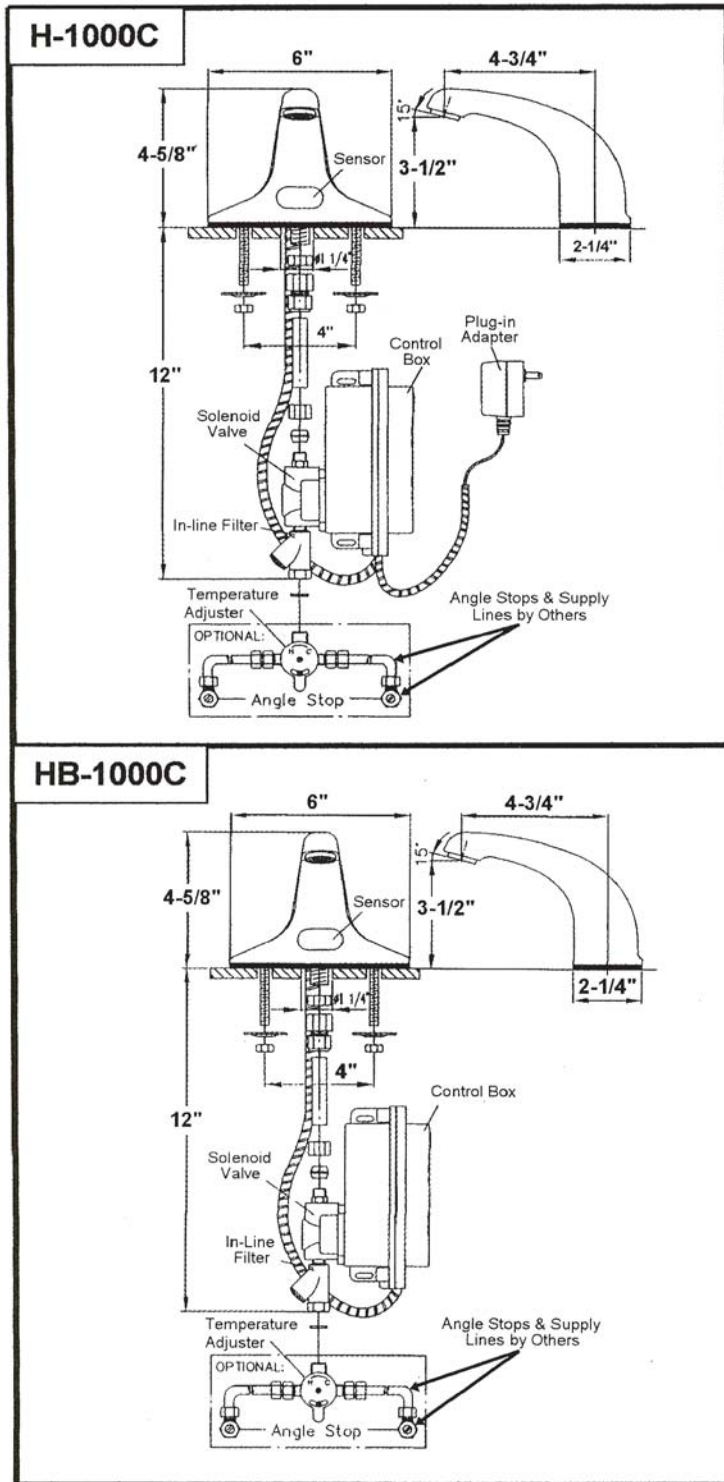
## Features:

- **ACCU-SENSE** adjustable sensor eyes.
- All solid metal construction.
- Wall mountable, waterproof control box with armored, vandal resistant control and power cables.
- Preset/adjustable sensor range 6" - 30" for various installation requirements.
- Standard automatic time-out feature. Preset at 30 but adjustable to 0, 15 or 60 seconds. Prevents accidental sink overflow.
- Shut-off delay is adjustable from 1 (preset) to 8 seconds.
- Solid brass body with cast 4" center-set and 3 point anchoring system. Twist-free and tamper resistant. Adapts to 8" center-set.
- Includes in-line filter with clean-out trap to reduce maintenance costs.
- All parts are field-replaceable to insure quick and easy repair.
- Same faucet-field switchable to AC or Battery Powered.
- Slow closing, piston-operated solenoid valve provides reliable and smooth operation without water hammer.
- Superior VSI silicone elastomer piston seals are unaffected by chlorine, chloramines or ammonia.
- Standard 0.5 GPM Flow Control for water conservation and annual savings
- Control module allows a unique self-check of all electrical components.

# Hydrotek Non-Mixing Automatic Faucet

## Model H-1000C (AC) or HB-1000C (Battery)

Meets ANSI/ASME A112.18.1M-1989



### Operation:

1. A continuous, invisible beam is emitted from the sensor.
2. The faucet is activated by placing hands under the spout within the effective range of the beam. Water starts to flow immediately for as long as user's hands remain in the sensor range.
3. When hands are removed, the water flow stops. The sensor automatically resets and is ready for the next user.
4. In battery powered mode, flashing red light will indicate low battery condition

### Specifications:

- Faucet Construction:** - Solid Brass, chrome plated
- Control Circuit:** - Solid state, AC or Battery, Switchable
- Auto. Time-out:** - Preset, Adjustable, 0, 15, 30, or 60 Sec.
- Sensor Range:** - Preset and Adjustable
- Shut-Off Delay:** - Preset, Adjustable from 1 - 8 seconds
- Control Cable:** - Armored, vandal resistant
- Solenoid Valve:** - 6V DC, Normally closed  
- Wattage- .4W (idle), 5W (in use)  
- Operating Pressure- 5 psi to 125 psi  
- 0.5 GPM, Vandal Resistant
- Flow Control:** - 0.5 GPM, Vandal Resistant

### AC Mode

- Power Adapter**
- Standard plug-in:** - Input AC 120V 60 Hz or 220 V (UL/CSA)  
- Output DC 12V, 0.8A/Class 2
- Power Cable:** - Armored, Vandal Resistant
- Optional Multi-Unit Adapter (UL/CSA)** - Serves up to 8 Faucets  
- Input AC 120V, Output DC 12V, 3A

### Battery Mode

- Battery Powered Models:** - (4) AA Alkaline Batteries
- Battery Service Life:** - 400,000 on/off cycles, up to 4 years

### Standard Package Includes

	H-1000C (AC)	HB-1000C (Bat)
X	(1) Faucet with Electronic Sensor	X
X	(1) Control Box w/6V DC Solenoid	X
X	(1) 12V DC Plug-in Power Adapter	
X	(1) In-Line Filter with Clean-Out Trap	X
X	(1) Copper Supply Tube, 3/8"	X
X	(1) Mounting Hardware	X
X	(1) 0.5 GPM Vandal Resistant Flow Control	X
	(4) AA Alkaline Batteries	X
	(1) Battery Holder	X

### Dimensions:

Base Width (Outside Measurement)	6"
Base Depth	2-1/4"
Faucet Height (Aerator to Base)	3-1/2"
Faucet Height Overall	4-5/8"
Depth (Center of Aerator to Center of Faucet Base)	4-3/4"
Mounting Bolt Length	2-1/2"
Mounting Bolt Pattern	4" Centers

### Optional Variations and Accessories:

- 1.6GPM VR Soft-Flow Aerator. 1.5, 2.0 & 2.5 GPM Laminar Flow
- 8" Centerset Cover Plate
- HC-010 Multi-Unit Voltage Adapter (AC Powered Only)
- HC-001 Mixing/Check Valve (Mechanical)
- HBL-02 Thermostatic Mixing Valve with Checks

Hydrotek International, Inc.

957 N Pennsylvania Avenue

Winter Park, FL 32789

1.800.922.9883

407.647.0471 (FAX)

www.hydrotekintl.com





# Solid Brass AC or Battery Powered Automatic Faucet

ISO 9002 Certified



## High Technology For No Touch Operation

- ADA Compliant. Meets all barrier free codes
- Conserves water and energy
- Easily installed in new or retrofit applications
- Competitively priced for today's commercial market
- Promotes cleanliness & hygiene
- Proven Hydrotek craftsmanship and reliability

2603C Series  
U.S. Patent: 6192530B1

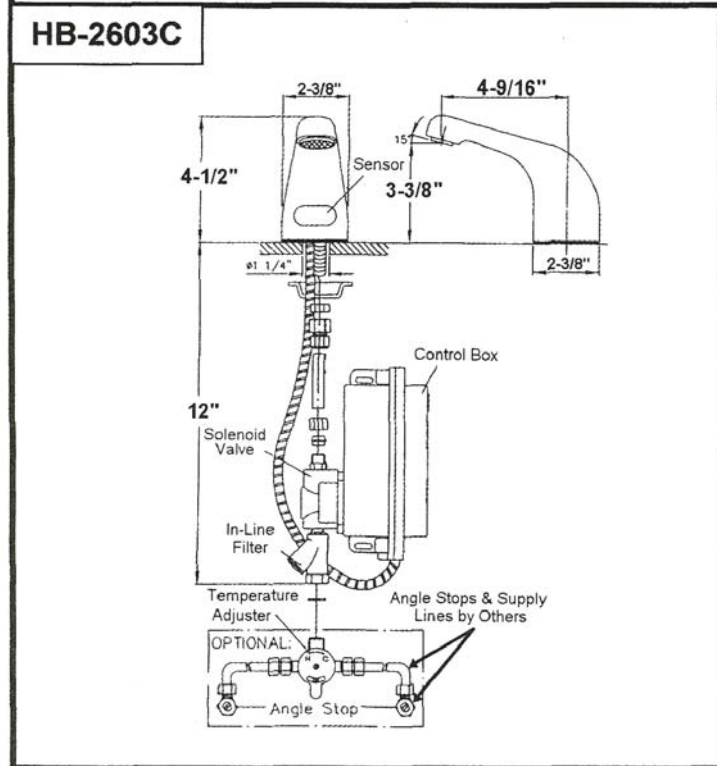
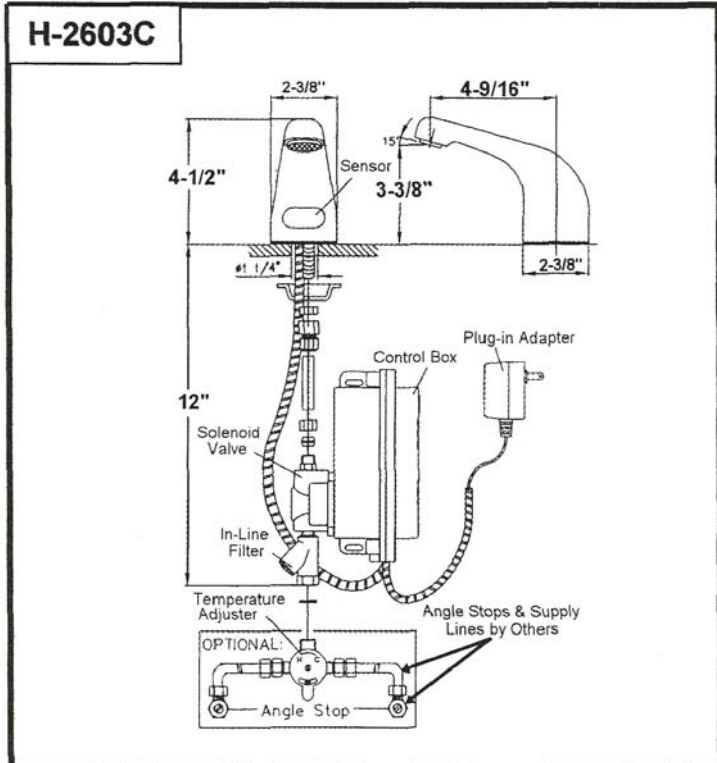
## Features:

- **ACCU-SENSE** adjustable sensor eyes.
- Chrome plated, solid brass construction.
- Wall mountable, waterproof control box with armored, vandal resistant control and power cables.
- Preset/adjustable sensor range 6" - 30" for various installation requirements.
- Standard automatic time-out feature. Preset at 30 but adjustable to 0, 15 or 60 seconds. Prevents accidental sink overflow.
- Shut-off delay is adjustable from 1 (preset) to 8 seconds.
- Solid brass body with single hole deck mounting. Optional 4" or 8" Cover Plate for 3 point anchoring.
- Includes in-line filter with clean-out trap to reduce maintenance costs.
- All parts are field-replaceable to insure quick and easy repair.
- Same faucet-field switchable to AC or Battery Powered.
- Slow closing, piston-operated solenoid valve provides reliable and smooth operation without water hammer.
- Superior VSI silicone elastomer piston seals are unaffected by chlorine, chloramines or ammonia.
- Standard 1.5 GPM Laminar Flow Control .
- Control module allows a unique self-check of all electrical components.

# Hydrotek Non-Mixing Automatic Faucet

## Model H-2603C (AC) or HB-2603C (Battery)

Meets ANSI/ASME A112.18.1M-1989



### Operation:

1. A continuous, invisible beam is emitted from the sensor.
2. The faucet is activated by placing hands under the spout within the effective range of the beam. Water starts to flow immediately for as long as user's hands remain in the sensor range.
3. When hands are removed, the water flow stops. The sensor automatically resets and is ready for the next user.
4. In battery powered mode, flashing red light will indicate low battery condition

### Specifications:

- |                      |  |
|----------------------|--|
| Faucet Construction: | - Solid Brass, Chrome Plated   |
| Control Circuit:     | - Solid state, AC or Battery, Switchable   |
| Auto. Time-out:      | - Preset, Adjustable, 0, 15, 30, or 60 Sec.  |
| Sensor Range:        | - Preset and Adjustable  |
| Shut-Off Delay:      | - Preset, Adjustable from 1 - 8 seconds  |
| Control Cable:       | - Armored, vandal resistant  |
| Solenoid Valve:      | - 6V DC, Normally closed<br>- Wattage- .4W (idle), 5W (in use)<br>- Operating Pressure- 0.3 Bar to 10 Bar (5 psi to 125 psi) |
| Flow Control:        | - 1.5 GPM, Vandal Resistant  |

### AC Mode

- |                             |  |
|-----------------------------|--|
| Power Adapter               |  |
| Standard plug-in:           | - Input AC 120V 60 Hz or 220 V (UL/CSA)                        |
| Power Cable:                | - Output DC 12V, 0.8A/Class 2<br>- Armored, Vandal Resistant   |
| Optional Multi-Unit Adapter |  |
| (UL/CSA)                    | - Serves up to 8 Faucets<br>- Input AC 120V, Output DC 12V, 3A |

### Battery Mode

- |                         |  |
|-------------------------|--|
| Battery Powered Models: | - (4) AA Alkaline Batteries            |
| Battery Service Life:   | - 400,000 on/off cycles, up to 4 years |

### Standard Package Includes:

H-2603C (AC)		HB-2603C (Bat)
X	(1) Faucet with Electronic Sensor	X
X	(1) Control Box w/6V DC Solenoid	X
X	(1) 12V DC Plug-in Power Adapter	
X	(1) In-Line Filter with Clean-Out Trap	X
X	(1) Copper Supply Tube, 3/8"	X
X	(1) Mounting Hardware	X
X	(1) 1.5 GPM V.R. Laminar Flow Control	X
	(4) AA Alkaline Batteries	X
	(1) Battery Holder	X

### Dimensions:

Base Width (Outside Measurement)	2-3/8"
Base Depth	2-3/8"
Faucet Height (Aerator to Base)	3-3/8"
Faucet Height Overall	4-1/2"
Depth (Center of Aerator to Center of Faucet Base)	4-9/16"
Mounting Bolt Length	2-1/4"
Mounting Bolt Pattern	Single-Hole Mount

### Optional Variations and Accessories:

- 0.5 Rosette & 1.6 GPM VR Soft-Flow Aerator 2.0 & 2.5 GPM Laminar Flow
- 4" or 8" Centerset Cover Plate
- HC-010 Multi-Unit Voltage Adapter (AC Powered Only)
- HC-001 Mixing/Check Valve (Mechanical)
- HBL-02 Thermostatic Mixing Valve with Checks

Hydrotek International, Inc.

957 N Pennsylvania Avenue  
Winter Park, FL 32789  
1.800.922.9883  
407.647.0471 (FAX)  
www.hydrotekintl.com





# Solid Brass AC or Battery Powered Automatic Faucet

ISO 9002 Certified



## High Technology For No Touch Operation

- ADA Compliant. Meets all barrier free codes
- Conserves water and energy
- Easily installed in new or retrofit applications
- Competitively priced for today's commercial market
- Promotes cleanliness & hygiene
- Proven Hydrotek craftsmanship and reliability

## 3000C Series

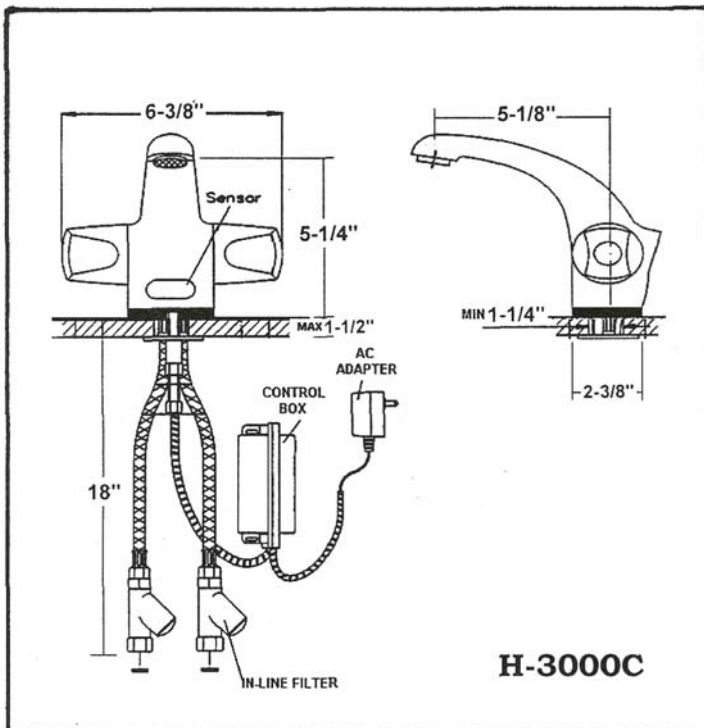
U.S. Patent:  
4741363  
6192530B1

## Features:

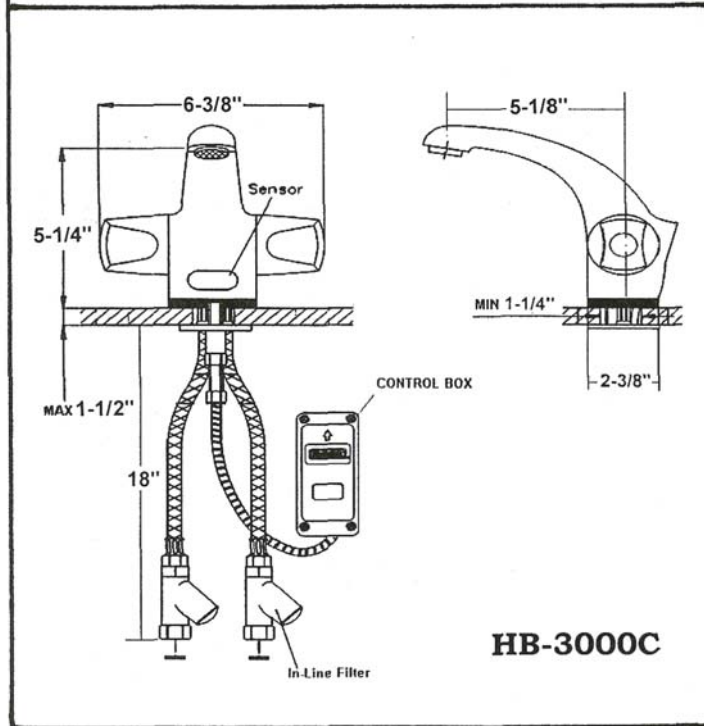
- **ACCU-SENSE** adjustable sensor eyes.
- Chrome plated, solid brass construction.
- Wall mountable, waterproof control box with armored, vandal resistant control and power cables.
- Preset/adjustable sensor range 6" - 30" for various installation requirements.
- Standard automatic time-out feature. Preset at 0 but adjustable to 15, 30 or 60 seconds. Prevents accidental sink overflow.
- Shut-off delay is adjustable from 1 (preset) to 8 seconds.
- Standard single-hole deck mount. Adapts to optional 4" or 8" cover plates.
- Includes in-line filters/checks with clean-out trap to reduce maintenance costs.
- Standard 2.0 GPM Laminar Flow Control.
- Same Faucet, field switchable to AC or Battery Powered.
- Manual override provides continuous water flow for special applications or in case of power failure.
- Manually controlled temperature adjustment.
- Patented electronics and slow closing solenoid valve provide reliable and smooth operation without water hammer.
- Control module allows a unique self-check of all electrical components.
- Superior VSI silicone elastomer solenoid piston seals are unaffected by chlorine, chloramines or ammonia.

# Hydrotek Mixing Automatic Faucet

Model H-3000C (AC) or HB-3000C (Battery)  
with manual off / on and temperature adjust  
Meets ANSI/ASME A112.18.1M-1989



**H-3000C**



**HB-3000C**

## Operation:

1. A continuous, invisible beam is emitted from the sensor.
2. The faucet is activated by placing hands under the spout within the effective range of the beam. Water starts to flow immediately for as long as user's hands remain in the sensor range.
3. When hands are removed, the water flow stops. The sensor automatically resets and is ready for the next user.
4. In battery powered mode, flashing red light will indicate low battery condition
5. Use faucet handle for temp. adjust and manual Off/On.

## Specifications:

- Faucet Construction:** - Solid Brass, Chrome Plated  
**Control Circuit:** - Solid state, AC or Battery, Switchable
- Auto. Time-out:** - Preset, Adjustable, 0, 15, 30, or 60 Sec.  
**Sensor Range:** - Preset and Adjustable  
**Shut-Off Delay:** - Preset, Adjustable from 1 - 8 seconds
- Control Cable:** - Armored, vandal resistant  
**Solenoid Valve:** - 6V DC, Normally closed  
 - Wattage- .4W (idle), 5W (in use)  
 - Operating Pressure- (5 psi to 125 psi)  
**Flow Control:** -2.0 GPM, Laminar Flow Control

## AC Mode

- Power Adapter**  
 Standard plug-in: - Input AC 120V 60 Hz or 220 V (UL/CSA)  
 - Output DC 12V, 0.8A/Class 2  
 Power Cable: - Armored, Vandal Resistant
- Optional Multi-Unit Adapter**  
 (UL/CSA)  
 - Serves up to 8 Faucets  
 - Input AC 120V, Output DC 12V, 3A

## Battery Mode

- Battery Powered Models:**  
 - (4) AA Alkaline Batteries
- Battery Service Life:** - 400,000 on/off cycles, up to 4 years

## Standard Package Includes:

H-3000C (AC)	HB-3000C (Bat)
X (1) Faucet with Electronic Sensor	X
X (1) Control Box	X
X (1) 12V DC Plug-in Power Adapter	
X (1) In-Line Filter with Clean-Out Trap	X
X (1) Flex, S.S. Supply Tubes, 3/8"	X
X (1) Mounting Hardware	X
X (1) 2.0 GPM V.R. Laminar Flow Control	X
(4) AA Alkaline Batteries	X
(1) Battery Holder	X

## Dimensions:

Base Width (Outside Measurement)	2-1/2"
Base Depth	2"
Faucet Height (Aerator to Base)	5-1/4"
Faucet Height Overall	6-3/8"
Depth (Center of Aerator to Center of Faucet Base)	5-1/8"
Mounting Bolt Length	2-1/2"
Mounting Bolt Pattern	Single-Hole Mount

## Optional Variations and Accessories:

- 1.6 GPM Soft-Flow Aerator 1.5 & 2.5 GPM Laminar Flow
- 4" or 8" Centerset Cover Plate
- HC-010 Multi-Unit Voltage Adapter (AC Powered Only)
- HBL-02 Thermostatic Mixing Valve with Checks
- Wrist Blade Handle

Hydrotek International, Inc.

957 N Pennsylvania Avenue  
 Winter Park, FL 32789  
 1.800.922.9883  
 407.647.0471 (FAX)  
 www.hydrotekintl.com





# Solid Brass AC or Battery Powered Automatic Faucet

ISO 9002 Certified

## High Technology For No Touch Operation

- ADA Compliant. Meets all barrier free codes
- Conserves water and energy
- Easily installed in new or retrofit applications
- Competitively priced for today's commercial market
- Promotes cleanliness & hygiene
- Proven Hydrotek craftsmanship and reliability

## Features:

- **ACCU-SENSE** adjustable sensor eyes.
- Chrome plated, solid brass construction.
- Wall mountable, waterproof control box with armored, vandal resistant control and power cables.
- Preset/adjustable sensor range 6" - 30" for various installation requirements.
- Standard automatic time-out feature. Preset at 0 but adjustable to 15, 30 or 60 seconds. Prevents accidental sink overflow.
- Shut-off delay is adjustable from 1 (preset) to 8 seconds.
- Includes in-line filters with clean-out trap to reduce maintenance costs.
- Standard 2.0 GPM Laminar flow control.
- Same Faucet, field switchable to AC or Battery Powered.
- Manual override provides continuous water flow for special applications or in case of power failure.
- Manually controlled temperature adjustment.
- Patented electronics and slow closing solenoid valve provide reliable and smooth operation without water hammer.
- Control module allows a unique self-check of all electrical components.
- Superior VSI silicone elastomer solenoid piston seals are unaffected by chlorine, chloramines or ammonia.



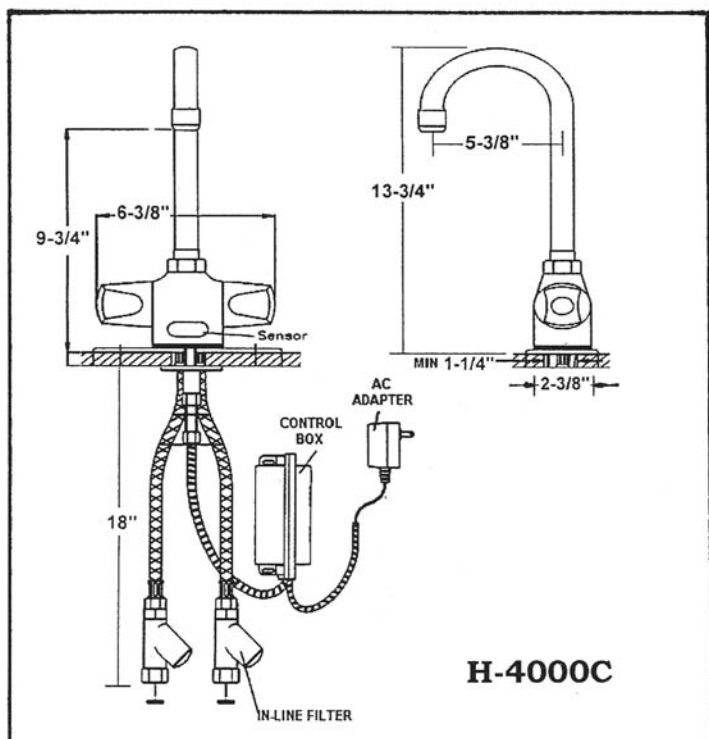
4000C Series  
U.S. Patent:  
4741363  
6192530B1

# Hydrotek Automatic Gooseneck Faucet Mixing / Deck Mounted

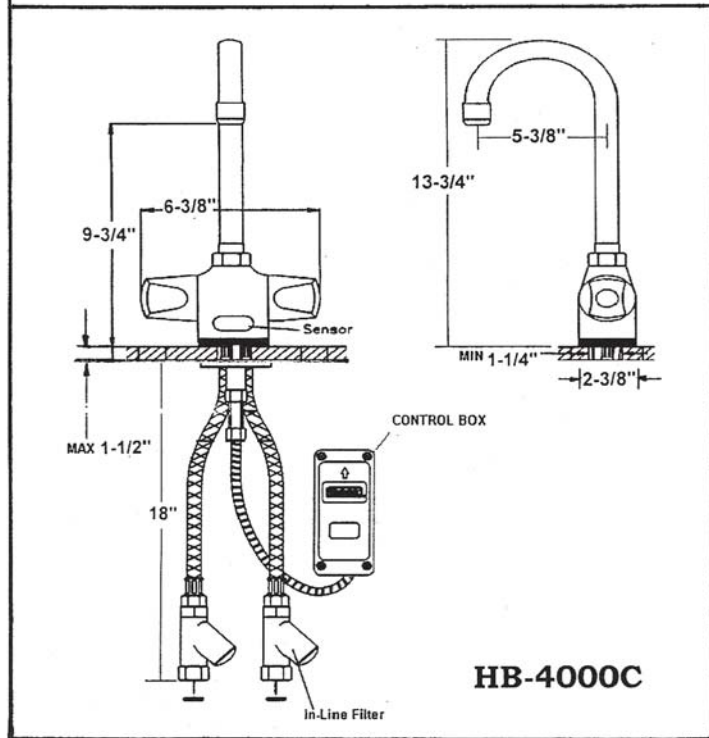
Model H-4000C (AC) or HB-4000C (Battery)

with manual off / on and temperature adjust

Meets ANSI/ASME A112.18.1M-1989



**H-4000C**



**HB-4000C**

## Operation:

1. A continuous, invisible beam is emitted from the sensor.
2. The faucet is activated by placing hands under the spout within the effective range of the beam. Water starts to flow immediately for as long as user's hands remain in the sensor range.
3. When hands are removed, the water flow stops. The sensor automatically resets and is ready for the next user.
4. In battery powered mode, flashing red light will indicate low battery condition
5. Use faucet handle for temp. adjust and manual Off/On

## Specifications:

- Faucet Construction: - Solid Brass, Chrome Plated  
Control Circuit: - Solid state, AC or Battery, Switchable
- Auto. Time-out: - Preset, Adjustable, 0, 15, 30, or 60 Sec.
- Sensor Range: - Preset and Adjustable  
Shut-Off Delay: - Preset, Adjustable from 1 - 8 seconds
- Control Cable: - Armored, vandal resistant  
Solenoid Valve: - 6V DC, Normally closed  
- Wattage- .4W (idle), 5W (in use)  
- Operating Pressure- (5 psi to 125 psi)  
- 2.0 GPM, Laminar Flow Control

## Flow Control:

### AC Mode

- Power Adapter  
Standard plug-in: - Input AC 120V 60 Hz or 220 V (UL/CSA)  
- Output DC 12V, 0.8A/Class 2  
Power Cable: - Armored, Vandal Resistant
- Optional Multi-Unit Adapter (UL/CSA)  
- Serves up to 8 Faucets  
- Input AC 120V, Output DC 12V, 3A

### Battery Mode

- Battery Powered Models: - (4) AA Alkaline Batteries  
Battery Service Life: - 400,000 on/off cycles, up to 4 years

## Standard Package Includes:

	H-4000C (AC)	HB-4000C (Bat)
X	(1) Faucet with Electronic Sensor	X
X	(1) Control Box	X
X	(1) 12V DC Plug-in Power Adapter	
X	(1) In-Line Filter with Clean-Out Trap	X
X	(1) Flex, S.S. Supply Tubes, 3/8"	X
X	(1) Mounting Hardware	X
X	(1) 6" Gooseneck Spout	X
X	(1) 2.0 GPM V.R. Laminar Flow Control	X
	(4) AA Alkaline Batteries	X
	(1) Battery Holder	X

## Dimensions:

Base Width (Outside Measurement)	2"
Base Depth	2-1/2"
Faucet Height (Aerator to Base)	9-3/4"
Faucet Height Overall	13-3/4"
Depth (Center of Aerator to Center of Faucet Base)	5-3/8"
Mounting Bolt Length	2-1/2"
Mounting Bolt Pattern	Single-Hole Mount

## Optional Variations and Accessories:

- 1.6 GPM Soft-Flow Aerator 1.5 & 2.5 GPM Laminar & Rose Spray
- 4" or 8" Centerset Cover Plate
- HC-010 Multi-Unit Voltage Adapter (AC Powered Only)
- HBL-02 Thermostatic Mixing Valve with Checks
- Wrist Blade Handle
- 8" deep Gooseneck and 6" or 8" Swing Spout

Hydrotek International, Inc.

957 N Pennsylvania Avenue

Winter Park, FL 32789

1.800.922.9883

407.647.0471 (FAX)

www.hydrotekintl.com





AC or Battery Powered

# Automatic Faucet

ISO 9002 Certified



5000E Series

## High Technology For No Touch Operation

- ADA Compliant. Meets all barrier free codes
- Conserves water and energy
- Easily installed in new or retrofit applications
- Competitively priced for today's commercial market
- Promotes cleanliness & hygiene
- Proven Hydrotek craftsmanship and reliability

## Features - New "E" Series (Non-Mixing) Lavatory Faucet:

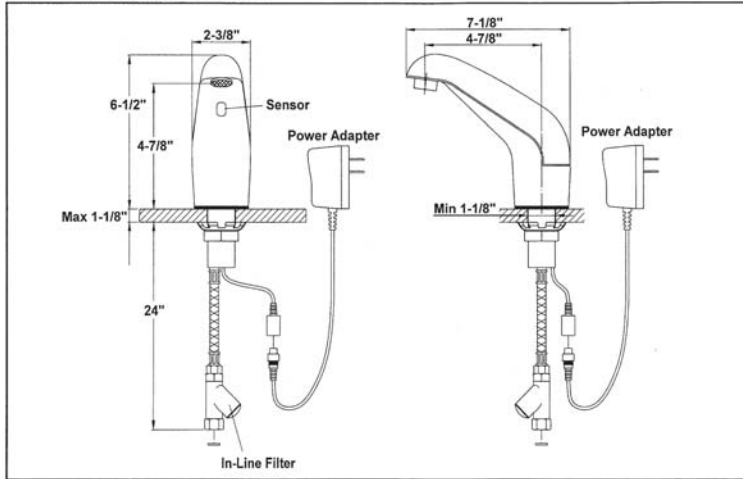
- Vandal-resistant Faucet Body with Chrome Plated, solid metal construction.
- Faucet design allows for quick, simple installation
- Clam shell design allows quick "above the deck" access to all major faucet component parts.
- Slow closing Solenoid Valve provides reliable and smooth operation without water hammer
- Available in AC Powered and Battery Powered Versions
- Unique energy saving design of electronics and solenoid valve for long battery life
- Armored, Vandal-Resistant AC power input cable (AC powered version)
- Sensor eye positioning eliminates ambient reflectivity issues.
- "Self-Adapting" Sensor Distance Adjustment eliminates the need for manual sensor adjustments.
- 30 Second time-out feature prevents accidental sink overflow
- Built-in, replaceable filter screen to reduce maintenance costs.
- Low battery indicator light
- Unique Electronic Control Module design allows for faucet electronic component diagnostics
- Standard 0.5 GPM Vandal Resistant Aerator
- Single-hole Deck Mounting with optional 4" and 8" Cover Plate for vandal resistant three point anchoring

# Hydrotek Automatic Faucet Non-Mixing / Deck Mounted

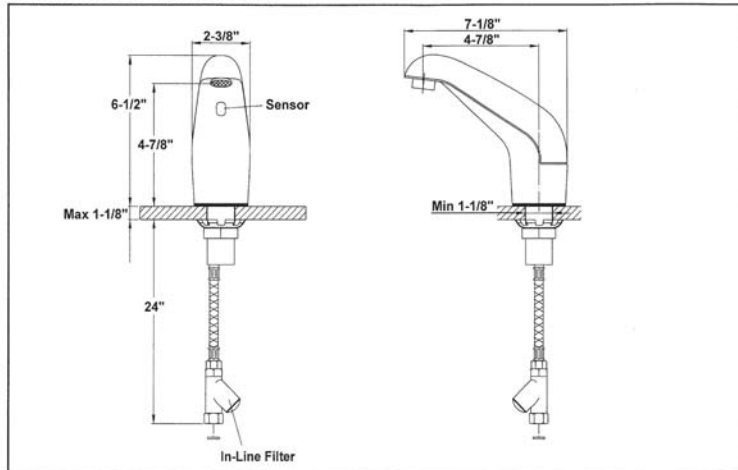
## Model H-5000E (AC) or HB-5000E (Battery)

Meets ANSI/ASME A112.18.1M-1989

HYDROTEK Model H-5000E



HYDROTEK Model HB-5000E



### Operation:

1. A continuous, invisible beam is emitted from the sensor.
2. The faucet is activated by placing hands under the spout. Water starts to flow immediately for as long as user's hands remain in the sensor range.
3. When hands are removed, the water flow stops. The sensor automatically resets and is ready for the next user.
4. In battery powered model: Flashing red light will indicate low battery.

### Specifications:

- Faucet Construction: - Metal & Chrome Plated
- Control Circuit:
- Auto. Time-out: - 30 seconds
  - Sensor Range: - Self Adapting
  - Shut-Off Delay: - 1 second.
- Solenoid Valve:
- 6V DC, Normally closed
  - Wattage - .2W (idle)
  - .3W (in use)
  - Operating Pressure- 0.3 Bar to 10 Bar (5psi to 125 psi)
  - 0.5 GPM, Rosette, Vandal Resistant.
- Flow Control:

### AC Powered Mode

- Power Adapter
- Standard plug-in: - Input AC 120V 60 Hz (UL/CSA)
  - Output DC 7.5V, 0.8A/Class 2
  - Power Cable: - Armored, Vandal Resistant
- Optional Multi-Unit Adapter (UL/CSA)
- Serves up to 10 Faucets
  - Input AC 120V, Output DC 7.5V, 3A

### Battery Mode

- Battery Powered Models:
- (4) AA Alkaline Batteries
- Battery Service Life:
- 400,000 on/off cycles, up to 4 years

### Standard Package Includes:

H-5000E (AC)		HB-5000E (Bat)
X	(1) Faucet with Sensor/Solenoid	X
X	(1) 7.5V DC Plug-in Power Adapter	
X	(2) Armored Steel Supply Tube with filter	X
X	(1) Mounting Lock Nut and Washer	X
X	(1) 0.5 GPM V.R. Rosette Flow Control	X
	(4) AA Alkaline Batteries	X

### Dimensions:

Base Width (Outside Measurement)	2-3/8"
Base Depth	2-3/8"
Faucet Height (Aerator to Base)	4-7/8"
Faucet Height Overall	6-1/2"
Depth (Center of Aerator to Center of Faucet Base)	4-7/8"
Mounting Bolt Length	2-1/4"
Mounting Bolt Size (Single-Hole Mount)	1-1/8"

### Optional Variations and Accessories:

- 1.5 or 2.0 GPM Laminar Flow Control
- 4" or 8" Center Set Cover Plate
- HC-010 Multi-Unit Voltage Adapter (AC Model)
- HBL-02 Thermostatic Mixing Valve with Checks

Hydrotek International, Inc.

957 N Pennsylvania Avenue  
Winter Park, FL 32789  
1.800.922.9883  
407.647.0471 (FAX)  
www.hydrotekintl.com





AC or Battery Powered

# Automatic Faucet

ISO 9002 Certified



5000EM Series

## High Technology For No Touch Operation

- ADA Compliant. Meets all barrier free codes
- Conserves water and energy
- Easily installed in new or retrofit applications
- Competitively priced for today's commercial market
- Promotes cleanliness & hygiene
- Proven Hydrotek craftsmanship and reliability

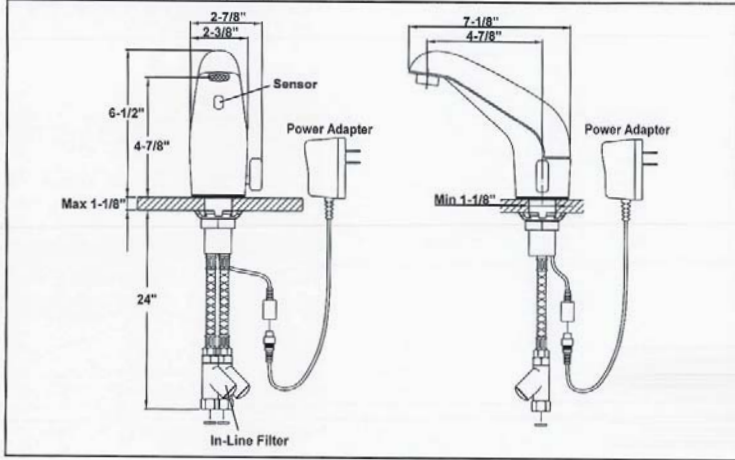
## Features - New "EM" Series (Mixing - Manual Off/On) Lavatory Faucet:

- Vandal-resistant Faucet Body with Chrome Plated, solid metal construction.
- Faucet design allows for quick, simple installation
- Clam shell design allows quick "above the deck" access to all major faucet component parts.
- Integral Faucet Mixing Valve (with built-in checks) Manual Off/On
- "Above the Deck" external or internal temperature adjustment variations
- "Above the Deck" Manual Off/On with external temperature adjustment variation
- Slow closing Solenoid Valve provides reliable and smooth operation without water hammer
- Available in AC Powered and Battery Powered Versions
- Battery Powered version uses (4) inexpensive AA batteries
- Unique energy saving design of electronics and solenoid valve for long battery life
- Armored, Vandal-Resistant AC power input cable (AC powered version)
- Sensor eye positioning eliminates ambient reflectivity issues.
- "Self-Adapting" Sensor Distance Adjustment eliminates the need for manual sensor adjustments.
- 30 Second time-out feature prevents accidental sink overflow
- Built-in, replaceable filter screen to reduce maintenance costs.
- Low battery indicator light
- Unique Electronic Control Module design allows for faucet electronic component diagnostics
- Standard 0.5 GPM Vandal Resistant Aerator
- Single-hole Deck Mounting with optional 4" and 8" Cover Plate for vandal resistant three point anchoring

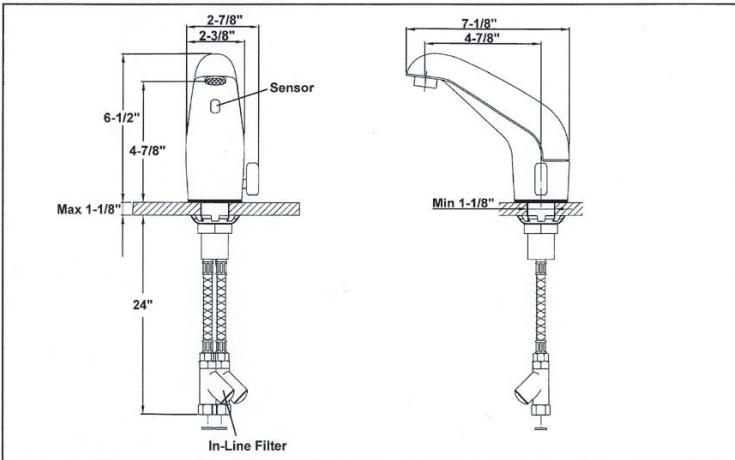
# Hydrotek Mixing Automatic Faucet Manual Off/On /Deck Mounted

Model H-5000EM (AC) or HB-5000EM (Battery)  
Meets ANSI/ASME A112.18.1M-1989

HYDROTEK Model H-5000EM



HYDROTEK Model HB-5000EM



## Operation:

1. A continuous, invisible beam is emitted from the sensor.
2. The faucet is activated by placing hands under the spout. Water starts to flow immediately for as long as user's hands remain in the sensor range.
3. When hands are removed, the water flow stops. The sensor automatically resets and is ready for the next user.
4. Water temperature adjustment and manual off/on when using external temperature adjustment.
5. In battery powered model: Flashing red light will indicate low battery.

## Specifications:

- Faucet Construction: - Metal & Chrome Plated
- Mixing Valve (Built-in): - Adapts to internal or external adjustments.  
- Manual off/on in external adjustment mode.
- Auto. Time-out: - 30 seconds
- Sensor Range: - Self Adapting
- Shut-Off Delay: - 1 second.
- Solenoid Valve: - 6V DC, Normally closed  
- Wattage -.2W (idle)  
-3W(in use)  
- Operating Pressure- 0.3 Bar  
-0.5 GPM, Rosette, Vandal Resistant.

## Flow Control:

### AC Powered Mode

- Standard plug-in: - Input AC 120V 60 Hz or 220 V  
(UL/CSA) - Output DC 7.5V, 0.8A/Class 2
- Power Cable: - Armored, Vandal Resistant
- Optional Multi-Unit Adapter  
(UL/CSA) - Serves up to 10 Faucets  
- Input AC 120V, Output DC 7.5V, 3A

### Battery Mode

- Battery Powered Models: - (4) AA Alkaline Batteries
- Battery Service Life: - 400,000 on/off cycles, up to 4 years

## Standard Package Includes:

H-5000EM (AC)	HB-5000EM (Bat)
X (1) Faucet with Sensor/Solenoid/Handle	X
X (1) 7.5V DC Plug-in Power Adapter	X
X (2) Armored Steel Supply Tube with filter	X
X (1) Mounting Lock Nut and Washer	X
X (1) 0.5 GPM V.R. Rosette Flow Control	X
X (4) AA Alkaline Batteries	X

## Dimensions:

Base Width (Outside Measurement)	2-3/8"
Base Depth	2-3/8"
Faucet Height (Aerator to Base)	4-7/8"
Faucet Height Overall	6-1/2"
Depth (Center of Aerator to Center of Faucet Base)	4-7/8"
Mounting Bolt Length	2-1/4"
Mounting Bolt Size (Single-Hole Mount)	1-1/8"

## Optional Variations and Accessories:

- 1.5 or 2.0 GPM Laminar Flow Control
- 4" or 8" Center Set Cover Plate
- HC-010 Multi-Unit Voltage Adapter (AC Model)
- HBL-02 Thermostatic Mixing Valve with Checks

Hydrotek International, Inc.

957 N Pennsylvania Avenue

Winter Park, FL 32789

1.800.922.9883

407.647.0471 (FAX)

www.hydrotekintl.com





# Solid Brass AC or Battery Powered Automatic Faucet

ISO 9002 Certified



## High Technology For No Touch Operation

- ADA Compliant. Meets all barrier free codes
- Conserves water and energy
- Easily installed in new or retrofit applications
- Competitively priced for today's commercial market
- Promotes cleanliness & hygiene
- Proven Hydrotek craftsmanship and reliability

6000C Series  
U.S. Patent:  
6192530B1

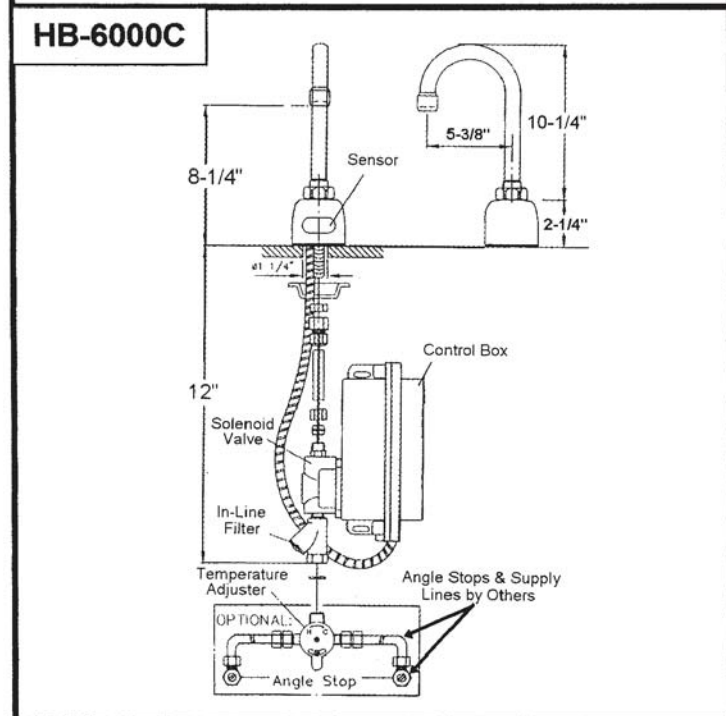
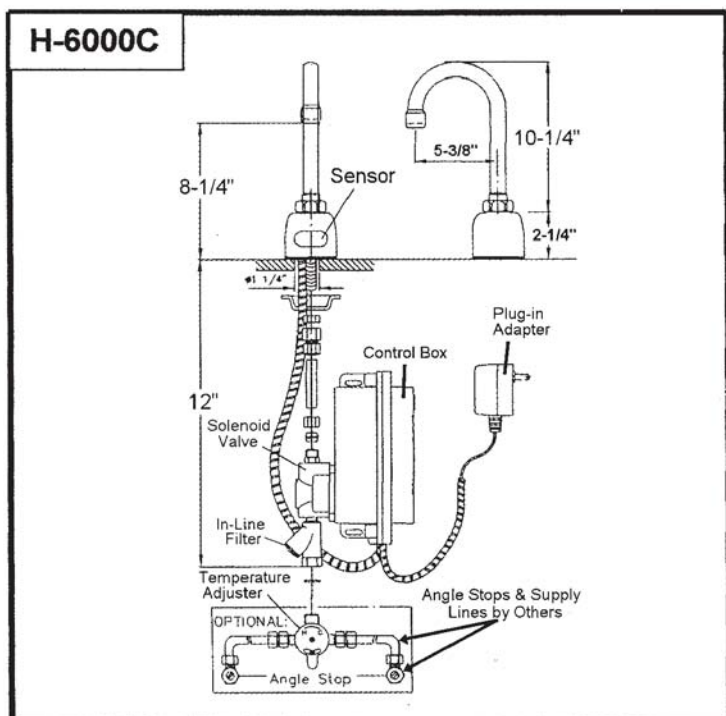
## Features:

- **ACCU-SENSE** adjustable sensor eyes.
- Chrome plated, solid brass construction.
- Wall mountable, waterproof control box with armored, vandal resistant control and power cables.
- Preset/adjustable sensor range 6" - 30" for various installation requirements.
- Standard automatic time-out feature. Preset at 0 but adjustable to 15, 30 or 60 seconds. Prevents accidental sink overflow.
- Shut-off delay is adjustable from 1 (preset) to 8 seconds.
- Standard single-hole deck mount. Adapts to optional 4" or 8" cover plates.
- Includes in-line filters with clean-out trap to reduce maintenance costs.
- Standard 6" Gooseneck spout and 2.0 GPM Laminar Flow Control.
- All parts are field replaceable to insure quick and easy repair
- Same Faucet, field switchable to AC or Battery Powered.
- Slow closing, piston-operated solenoid valve provides reliable and smooth operation without water hammer
- Superior VSI silicone elastomer piston seals are unaffected by chlorine, chloramines or ammonia.
- Control module allows a unique self-check of all electrical components.
- No-touch system enhances hygiene in medical, institutional, food service etc.

# Hydrotek Automatic Gooseneck Faucet Non-Mixing / Deck Mounted

Model H-6000C (AC) or HB-6000C (Battery)

Meets ANSI/ASME A112.18.1M-1989



## Operation:

1. A continuous, invisible beam is emitted from the sensor.
2. The faucet is activated by placing hands under the spout within the effective range of the beam. Water starts to flow immediately for as long as user's hands remain in the sensor range.
3. When hands are removed, the water flow stops. The sensor automatically resets and is ready for the next user.
4. In battery powered mode, flashing red light will indicate low battery condition

## Specifications:

- Faucet Construction:** - Solid Brass, Chrome Plated
- Control Circuit:** - Solid state, AC or Battery, Switchable
- Auto. Time-out:** - Preset, Adjustable, 0, 15, 30, or 60 Sec.
- Sensor Range:** - Preset and Adjustable
- Shut-Off Delay:** - Preset, Adjustable from 1 - 8 seconds
- Control Cable:** - Armored, vandal resistant
- Solenoid Valve:** - 6V DC, Normally closed  
- Wattage- .4W (idle), 5W (in use)  
- Operating Pressure- (5 psi to 125 psi)  
- 2.0 GPM, Laminar

## Flow Control:

### AC Mode

- Power Adapter:** Standard plug-in: - Input AC 120V 60 Hz or 220 V  
- Output DC 12V, 0.8A/Class 2
- Power Cable:** - Armored, Vandal Resistant
- Operational Multi-Unit Adapter:** (UL/CSA)  
- Serves up to 8 Faucets  
- Input AC 120V, Output DC 12V, 3A

### Battery Mode

- Battery Powered Models:** - (4) AA Alkaline Batteries
- Battery Service Life:** - 400,000 on/off cycles, up to 4 years

## Standard Package Includes:

H-6000C (AC)		HB-6000C (Bat)
X	(1) Faucet with Electronic Sensor	X
X	(1) Control Box w/6V DC Solenoid	X
X	(1) 12V DC Plug-in Power Adapter	
X	(1) In-Line Filter with Clean-Out Trap	X
X	(1) Copper Supply Tube, 3/8"	X
X	(1) Mounting Hardware	X
X	(1) 6" Gooseneck Spout	X
X	(1) 2.0 GPM V.R. Laminar Flow Control	X
	(4) AA Alkaline Batteries	X
	(1) Battery Holder	X

## Dimensions:

Base Width (Outside Measurement)	2-1/4"
Base Depth	2-1/4"
Faucet Height (Aerator to Base)	8-1/4"
Faucet Height Overall	12-1/2"
Depth (Center of Aerator to Center of Faucet Base)	5-3/8"
Mounting Bolt Length	2-1/4"
Mounting Bolt Pattern	Single-Hole Mount

## Optional Variations and Accessories:

- 1.6 GPM Soft-Flow Aerator 1.5 & 2.5 GPM Laminar Flow Control and Rose Spray Head
- 4" or 8" Centerset Cover Plate
- HC-010 Multi-Unit Voltage Adapter (AC Powered Only)
- HC-001 Mixing/Check Valve (Mechanical)
- HBL-02 Thermostatic Mixing Valve with Checks
- 8" deep Gooseneck and 6" or 8" Swing Spout

Hydrotek International, Inc.

957 N Pennsylvania Avenue  
Winter Park, FL 32789  
1.800.922.9883  
407.647.0471 (FAX)  
www.hydrotekintl.com





# Solid Brass AC or Battery Powered Automatic Faucet

ISO 9002 Certified

## High Technology For No Touch Operation

- ADA Compliant. Meets all barrier free codes
- Conserves water and energy
- Easily installed in new or retrofit applications
- Competitively priced for today's commercial market
- Promotes cleanliness & hygiene
- Proven Hydrotek craftsmanship and reliability



6700C Series  
U.S. Patent:  
6192530B1

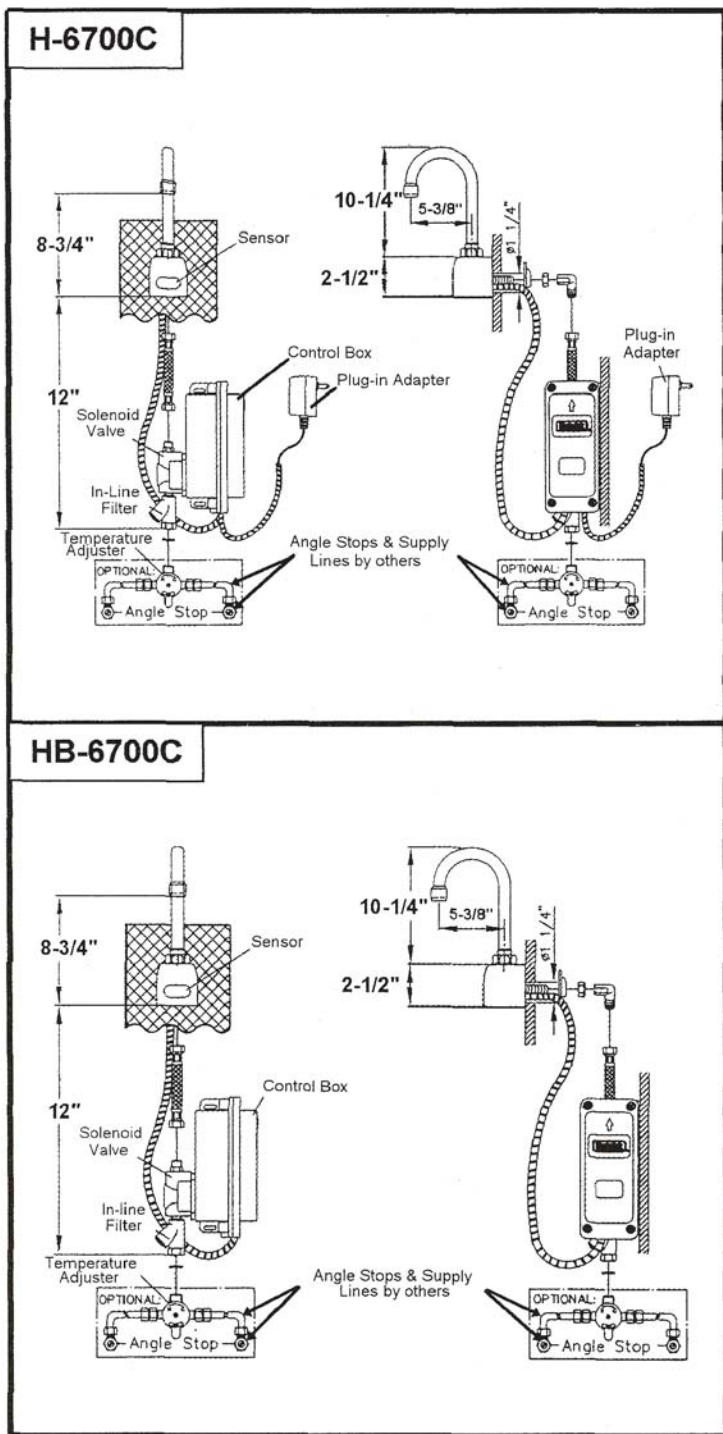
## Features:

- **ACCU-SENSE** adjustable sensor eyes.
- Chrome plated, solid brass construction.
- Wall mountable, waterproof control box with armored, vandal resistant control and power cables.
- Preset/adjustable sensor range 6" - 30" for various installation requirements.
- Standard automatic time-out feature. Preset at 0 but adjustable to 15, 30 or 60 seconds. Prevents accidental sink overflow.
- Shut-off delay is adjustable from 1 (preset) to 8 seconds.
- Includes in-line filters with clean-out trap to reduce maintenance costs.
- Standard 6" Gooseneck spout and 2.0 GPM Laminar flow control.
- Single-hole, wall/splash mounting.
- All parts are field replaceable to insure quick and easy repair
- Same Faucet, field switchable to AC or Battery Powered.
- Slow closing, piston-operated solenoid valve provides reliable and smooth operation without water hammer
- Superior VSI silicone elastomer piston seals are unaffected by chlorine, chloramines or ammonia.
- Control module allows a unique self-check of all electrical components.
- No-touch system enhances hygiene in medical, institutional, food service etc.

# Hydrotek Automatic Gooseneck Faucet Non-Mixing / Wall Mounted

## Model H-6700C (AC) or HB-6700C (Battery)

Meets ANSI/ASME A112.18.1M-1989



### Operation:

1. A continuous, invisible beam is emitted from the sensor.
2. The faucet is activated by placing hands under the spout within the effective range of the beam. Water starts to flow immediately for as long as user's hands remain in the sensor range.
3. When hands are removed, the water flow stops. The sensor automatically resets and is ready for the next user.
4. In battery powered mode, flashing red light will indicate low battery condition

### Specifications:

- Faucet Construction: - Solid Brass, Chrome Plated  
 Control Circuit: - Solid state, AC or Battery, Switchable
- Auto. Time-out: - Preset, Adjustable, 0, 15, 30, or 60 Sec.  
 Sensor Range: - Preset and Adjustable  
 Shut-Off Delay: - Preset, Adjustable from 1 - 8 seconds
- Control Cable: - Armored, vandal resistant  
 Solenoid Valve: - 6V DC, Normally closed  
 - Wattage- .4W (idle), 5W (in use)  
 - Operating Pressure- (5 psi to 125 psi)  
 -2.0 GPM, Laminar

### Flow Control:

#### AC Mode

- Power Adapter  
 Standard plug-in: - Input AC 120V 60 Hz or 220 V  
 (UL/CSA)  
 - Output DC 12V, 0.8A/Class 2  
 Power Cable: - Armored, Vandal Resistant
- Optional Multi-Unit Adapter  
 (UL/CSA)  
 - Serves up to 8 Faucets  
 - Input AC 120V, Output DC 12V, 3A

#### Battery Mode

- Battery Powered Models:  
 - (4) AA Alkaline Batteries
- Battery Service Life:  
 - 400,000 on/off cycles, up to 4 years

### Standard Package Includes:

H-6700C (AC)		HB-6700C (Bat)
X	(1) Faucet with Electronic Sensor	X
X	(1) Control Box w/6V DC Solenoid	X
X	(1) 12V DC Plug-in Power Adapter	
X	(1) In-Line Filter with Clean-Out Trap	X
X	(1) 18" Flex, S.S. Supply Tube, 3/8"	X
X	(1) Mounting Hardware	X
X	(1) 6" Gooseneck Spout	X
X	(1) 2.0 GPM V.R. Laminar Flow Control	X
	(4) AA Alkaline Batteries	X
	(1) Battery Holder	X

### Dimensions:

Base Width (Outside Measurement)	2-1/4"
Base Depth	2-1/2"
Faucet Height (Aerator to Base)	8-3/4"
Faucet Height Overall	12-3/4"
Depth (Center of Aerator to Center of Faucet Base)	5-3/8"
Mounting Bolt Length	1-7/16"
Mounting Bolt Pattern	Single-Hole Mount

### Optional Variations and Accessories:

- 1.6 GPM Soft-Flow Aerator 1.5 & 2.5 GPM Laminar Flow Control and Rose Spray Head
- HC-010 Multi-Unit Voltage Adapter (AC Powered Only)
- HC-001 Mixing/Check Valve (Mechanical)
- HBL-02 Thermostatic Mixing Valve with Checks
- 8" deep Gooseneck and 6" or 8" Swing Spout

Hydrotek International, Inc.

957 N Pennsylvania Avenue  
 Winter Park, FL 32789  
 1.800.922.9883  
 407.647.0471 (FAX)  
 www.hydrotekintl.com





# Solid Brass AC or Battery Powered Autoflush Valve

ISO 9002 Certified

## 8000C Series

The Hydrotek 8000C Series AUTOFLUSH Valve is the most advanced electronic flushing system in the industry today. By incorporating our field tested electronic circuitry and a slow-closing solenoid valve, Hydrotek has developed an innovative non-diaphragm, piston flushing mechanism that will provide years of dependable and trouble free service. The Hydrotek AUTOFLUSH system is completely automatic; there is no contact with any surface, no handle to push and it flushes only when it is used. It provides the ultimate in sanitary protection, the convenience of cleaner restroom facilities and the most efficient system in water conservation.

### High Technology For No Touch Operation

- ADA Compliant. Meets all barrier free codes
- Conserves water and energy
- Easily installed in new or retrofit applications
- Competitively priced for today's commercial market
- Promotes cleanliness & hygiene
- Proven Hydrotek craftsmanship and reliability

### HB8RFKC (Retrofit Kit)

U.S. Patent:5699994  
6192530B1



### HB-8000C Series (BAT)

U.S. Patent:5699994  
6192530B1



### H-8000C Series (AC)

U.S. Patent:5699994  
6192530B1

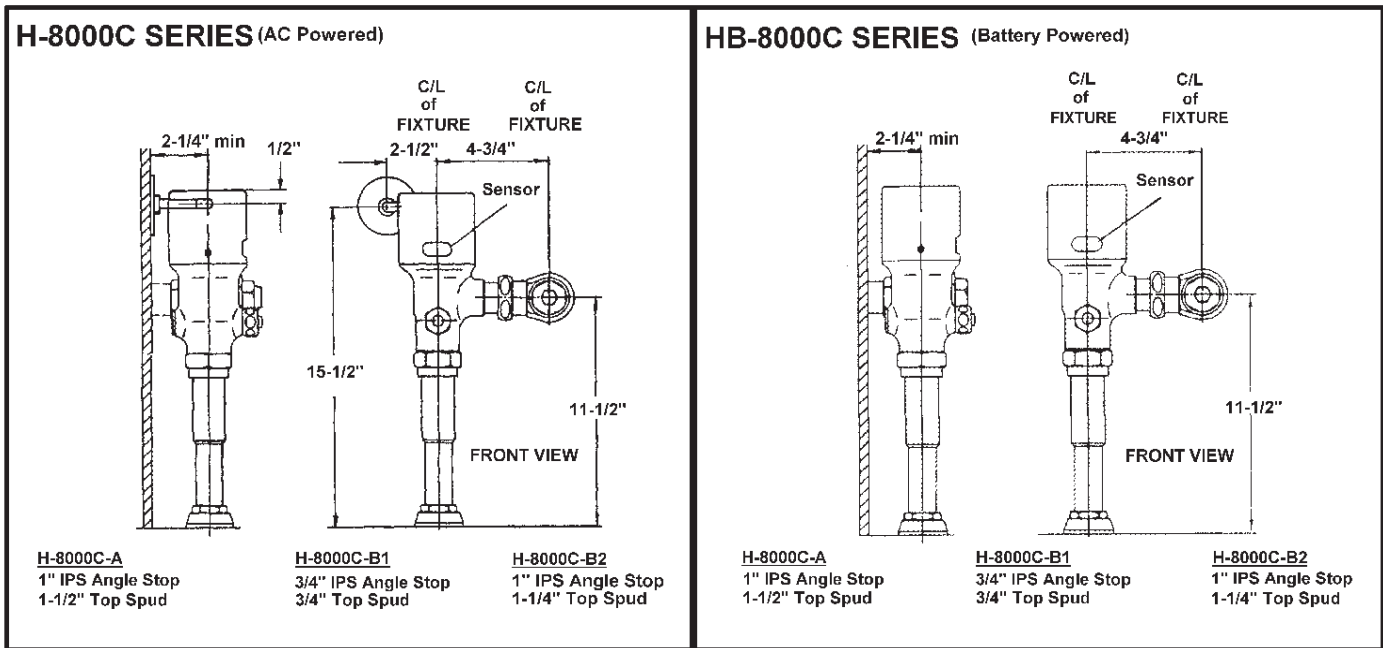


## Features:

- **ACCU-SENSE** adjustable sensor eyes.
- Standard manual mechanical override button for urinal and watercloset
- Standard brass/chrome plated all metal construction
- AC/DC Powered & Field Switchable
- Preset/adjustable flow rate and sensor distance
- Self-diagnostic electronics
- Standard vandal resistant stop valve
- Superior piston flushing mechanism
- Field adjustable to left or right rough-in
- Battery replacement without water shut-off
- Operating pressures: 10 ÷ 125 PSI
- Standard self-cleaning filtering system
- Switchable urinal to closet, vice versa
- 24 hour sentinel flush
- Superior VSI Silicone Elastomer Seals, unaffected by chlorine, chloramines and ammonia
- Uses inexpensive AA Batteries
- Battery Service Life: 400,000 On/Off cycles
- Low battery indicator light (Battery powered)
- No outside power source required (Battery Powered)
- Can be installed by one tradesperson (Battery Powered)

# Hydrotek Autoflush Valves

## H-8000C (AC) and HB-8000C Series (Battery)



### STANDARD PACKAGE INCLUDES:

### EXPOSED FLUSH VALVE MODELS

H-8000C (A-B1-B2)	HB-8000C (A-B1-B2)	HB8RFKC (C-U)	
X	X	X	(1) Flush valve
X	X		(1) Stop valve
X	X		(1) Sweat Kit
X	X		(1) Flush Tube
X	X		(1) Spud coupling
X	X		(1) Vacuum breaker
X			(1) Plug-in AC Adapter
X			(1) Wall Flange
X			(1) AC Input Tube
	X	X	(4) AA Alkaline Batteries

### OPTIONAL ACCESSORIES:

- HC-010 Multi-Unit Power Adapter: Powers up to 8 Flush Valve units. (AC Powered only)

### HB8RFKC Retrofit Flush Valve Models:

- HB8RFKC-C Hydrotek Retrofit battery-powered closet flush valve. Unit bolts to Sloan or Zurn stop valve and flush tube.
- HB8RFK-U Same as above, but for urinals
- HB8RFKC-CD Hydrotek Retrofit battery-powered closet flush valve. Unit bolts to Delany stop valve and flush tube
- HB8RFKC-UD Same as above, but for urinal

### PLUMBING SPECIFICATIONS:

Model #	Fixture	Supply Line	Top Spud	Flow Rate
H/HB-8000C-A	Closet	1" O	1-1/2" O	1.5-5.0 GPF
H/HB-8000C-B1	Urinal	3/4" O	3/4" O	0.5-3.5 GPF
H/HB 8000C-B2	Urinal	1" O	1-1/4" O	0.5-3.5 GPF

- AC & Battery Powered Concealed Flush Valves Available
- Meets A.S.S.E. Standard 1037-89

### ELECTRICAL REQUIREMENTS:

- AC Powered Unit:
  - Solenoid valve and sensor, 6V DC
  - Transformer: Input 120V AC, 60 Hz  
Output 12V DC
- Battery Powered Unit:
  - Solenoid valve and sensor, 6V DC
  - Battery: (4) AA Alkaline Batteries
  - Battery Service Life: 400,000 flushes, up to 4 years

### Hydrotek International, Inc.

957 N Pennsylvania Avenue  
Winter Park, FL 32789  
1.800.922.9883  
407.647.0471 (FAX)  
www.hydrotekintl.com





# Solid Brass AC or Battery Powered Autoflush Valve

ISO 9002 Certified

## 8000C Series

The Hydrotek 8000C Series AUTOFLUSH Valve is the most advanced electronic flushing system in the industry today. By incorporating our field tested electronic circuitry and a slow-closing solenoid valve, Hydrotek has developed an innovative non-diaphragm, piston flushing mechanism that will provide years of dependable and trouble free service. The Hydrotek AUTOFLUSH system is completely automatic; there is no contact with any surface, no handle to push and it flushes only when it is used. It provides the ultimate in sanitary protection, the convenience of cleaner restroom facilities and the most efficient system in water conservation.

### High Technology For No Touch Operation

- ADA Compliant. Meets all barrier free codes
- Conserves water and energy
- Easily installed in new or retrofit applications
- Competitively priced for today's commercial market
- Promotes cleanliness & hygiene
- Proven Hydrotek craftsmanship and reliability

HB8RFKC (Retrofit Kit)  
U.S. Patent:5699994  
6192530B1



HB-8000C Series (BAT)  
U.S. Patent:5699994  
6192530B1



H-8000C Series (AC)  
U.S. Patent:5699994  
6192530B1

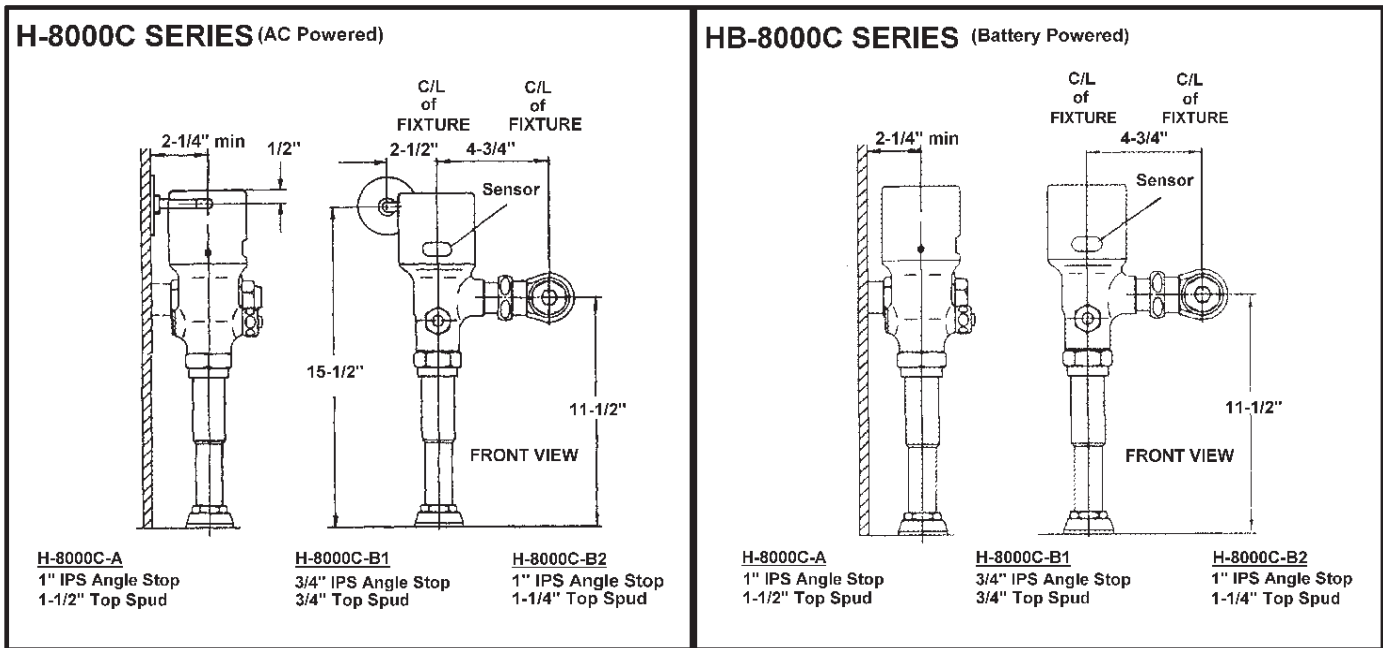


## Features:

- **ACCU-SENSE** adjustable sensor eyes.
- Standard manual mechanical override button for urinal and watercloset
- Standard brass/chrome plated all metal construction
- AC/DC Powered & Field Switchable
- Preset/adjustable flow rate and sensor distance
- Self-diagnostic electronics
- Standard vandal resistant stop valve
- Superior piston flushing mechanism
- Field adjustable to left or right rough-in
- Battery replacement without water shut-off
- Operating pressures: 10 ÷ 125 PSI
- Standard self-cleaning filtering system
- Switchable urinal to closet, vice versa
- 24 hour sentinel flush
- Superior VSI Silicone Elastomer Seals, unaffected by chlorine, chloramines and ammonia
- Uses inexpensive AA Batteries
- Battery Service Life: 400,000 On/Off cycles
- Low battery indicator light (Battery powered)
- No outside power source required (Battery Powered)
- Can be installed by one tradesperson (Battery Powered)

# Hydrotek Autoflush Valves

## H-8000C (AC) and HB-8000C Series (Battery)



### STANDARD PACKAGE INCLUDES:

### EXPOSED FLUSH VALVE MODELS

H-8000C (A-B1-B2)	HB-8000C (A-B1-B2)	HB8RFKC (C-U)	
X	X	X	(1) Flush valve
X	X		(1) Stop valve
X	X		(1) Sweat Kit
X	X		(1) Flush Tube
X	X		(1) Spud coupling
X	X		(1) Vacuum breaker
X			(1) Plug-in AC Adapter
X			(1) Wall Flange
X			(1) AC Input Tube
	X	X	(4) AA Alkaline Batteries

### OPTIONAL ACCESSORIES:

- HC-010 Multi-Unit Power Adapter: Powers up to 8 Flush Valve units. (AC Powered only)

### HB8RFKC Retrofit Flush Valve Models:

- HB8RFKC-C Hydrotek Retrofit battery-powered closet flush valve. Unit bolts to Sloan or Zurn stop valve and flush tube.
- HB8RFK-U Same as above, but for urinals
- HB8RFKC-CD Hydrotek Retrofit battery-powered closet flush valve. Unit bolts to Delany stop valve and flush tube
- HB8RFKC-UD Same as above, but for urinal

### PLUMBING SPECIFICATIONS:

Model #	Fixture	Supply Line	Top Spud	Flow Rate
H/HB-8000C-A	Closet	1" O	1-1/2" O	1.5-5.0 GPF
H/HB-8000C-B1	Urinal	3/4" O	3/4" O	0.5-3.5 GPF
H/HB 8000C-B2	Urinal	1" O	1-1/4" O	0.5-3.5 GPF

- AC & Battery Powered Concealed Flush Valves Available
- Meets A.S.S.E. Standard 1037-89

### ELECTRICAL REQUIREMENTS:

- AC Powered Unit:
  - Solenoid valve and sensor, 6V DC
  - Transformer: Input 120V AC, 60 Hz  
Output 12V DC
- Battery Powered Unit:
  - Solenoid valve and sensor, 6V DC
  - Battery: (4) AA Alkaline Batteries
  - Battery Service Life: 400,000 flushes, up to 4 years

### Hydrotek International, Inc.

957 N Pennsylvania Avenue  
Winter Park, FL 32789  
1.800.922.9883  
407.647.0471 (FAX)  
www.hydrotekintl.com

